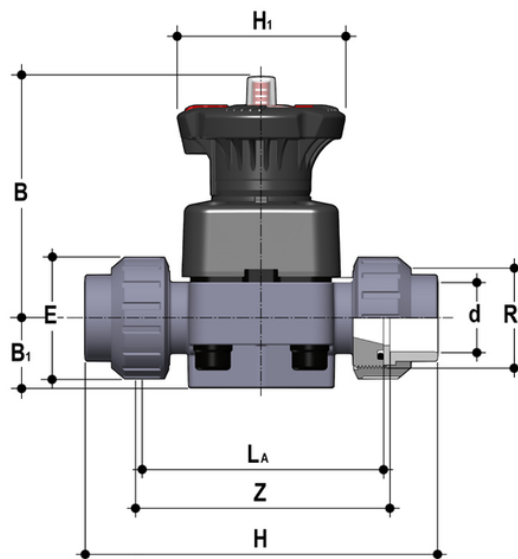


DKUIC - Valvola a membrana a 2 vie DIALOCK® DN 15:65

Valvola a membrana DIALOCK® con attacchi a bocchettone femmina per incollaggio.



EPDM

Codice	d	DN	PN	B	B ₁	E	H	H	La	R ₁	Z	g
DKUIC020E	20	15	10	102	25	41	129	80	90	1"	100	509
DKUIC025E	25	20	10	105	30	50	154	80	108	1"1/4	116	576
DKUIC032E	32	25	10	114	33	58	168	80	116	1"1/2	124	812
DKUIC040E	40	32	10	119	30	72	192	80	134	2"	140	945
DKUIC050E	50	40	10	149	35	79	222	120	154	2"1/4	160	1814
DKUIC063E	63	50	10	172	46	98	266	120	184	2"3/4	190	2752

EPDM

Codice	d	DN	PN	B	B ₁	E	H	H	La	R ₁	Z	g
DKUIC020E0SF	20	15	10	102	25	41	129	80	90	1"	100	509
DKUIC025E0SF	25	20	10	105	30	50	154	80	108	1"1/4	116	576
DKUIC032E0SF	32	25	10	114	33	58	168	80	116	1"1/2	124	812
DKUIC040E0SF	40	32	10	119	30	72	192	80	134	2"	140	945
DKUIC050E0SF	50	40	10	149	35	79	222	120	154	2"1/4	160	1814
DKUIC063E0SF	63	50	10	172	46	98	266	120	184	2"3/4	190	2752

FKM

DKUIC - Valvola a membrana a 2 vie DIALOCK® DN 15:65

Codice	d	DN	PN	B	B ₁	E	H	H	La	R ₁	Z	g
DKUIC020F	20	15	10	102	25	41	129	80	90	1"	100	509
DKUIC025F	25	20	10	105	30	50	154	80	108	1"1/4	116	576
DKUIC032F	32	25	10	114	33	58	168	80	116	1"1/2	124	812
DKUIC040F	40	32	10	119	30	72	192	80	134	2"	140	945
DKUIC050F	50	40	10	149	35	79	222	120	154	2"1/4	160	1814
DKUIC063F	63	50	10	172	46	98	266	120	184	2"3/4	190	2752

PTFE

Codice	d	DN	PN	B	B ₁	E	H	H	La	R ₁	Z	g
DKUIC020P	20	15	10	102	25	41	129	80	90	1"	100	509
DKUIC025P	25	20	10	105	30	50	154	80	108	1"1/4	116	576
DKUIC032P	32	25	10	114	33	58	168	80	116	1"1/2	124	812
DKUIC040P	40	32	10	119	30	72	192	80	134	2"	140	945
DKUIC050P	50	40	10	149	35	79	222	120	154	2"1/4	160	1814
DKUIC063P	63	50	10	172	46	98	266	120	184	2"3/4	190	2752

PTFE

Codice	d	DN	PN	B	B ₁	E	H	H	La	R ₁	Z	g
DKUIC020POSF	20	15	10	102	25	41	129	80	90	1"	100	509
DKUIC025POSF	25	20	10	105	30	50	154	80	108	1"1/4	116	576
DKUIC032POSF	32	25	10	114	33	58	168	80	116	1"1/2	124	812
DKUIC040POSF	40	32	10	119	30	72	192	80	134	2"	140	945
DKUIC050POSF	50	40	10	149	35	79	222	120	154	2"1/4	160	1814
DKUIC063POSF	63	50	10	172	46	98	266	120	184	2"3/4	190	2752