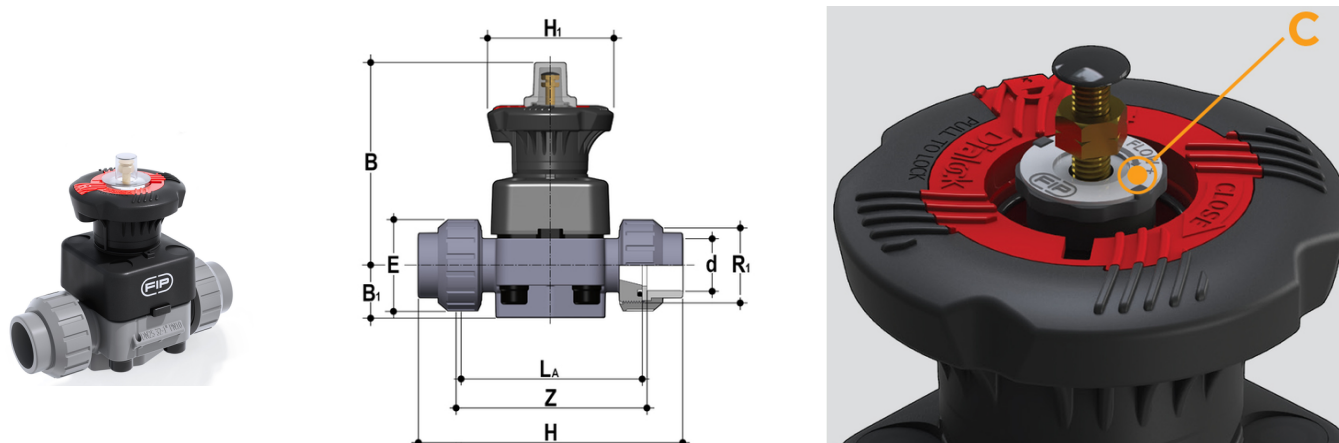


# DKLUIC - Valvola a membrana a 2 vie DIALOCK® DN 15:65

Valvola a membrana DIALOCK® con limitatore di corsa e attacchi a bocchettone femmina per incollaggio.



## EPDM

Codice	d	DN	PN	B	B <sub>1</sub>	E	H	H	La	R <sub>1</sub>	Z	g
DKLUIC020E	20	15	10	115	25	41	129	80	90	1"	100	539
DKLUIC025E	25	20	10	118	30	50	154	80	108	1"1/4	116	606
DKLUIC032E	32	25	10	127	33	58	168	80	116	1"1/2	124	842
DKLUIC040E	40	32	10	132	30	72	192	80	134	2"	140	975
DKLUIC050E	50	40	10	175	35	79	222	120	154	2"1/4	160	1874
DKLUIC063E	63	50	10	200	46	98	266	120	184	2"3/4	190	2812

## FKM

Codice	d	DN	PN	B	B <sub>1</sub>	E	H	H	La	R <sub>1</sub>	Z	g
DKLUIC020F	20	15	10	115	25	41	129	80	90	1"	100	539
DKLUIC025F	25	20	10	118	30	50	154	80	108	1"1/4	116	606
DKLUIC032F	32	25	10	127	33	58	168	80	116	1"1/2	124	842
DKLUIC040F	40	32	10	132	30	72	192	80	134	2"	140	975
DKLUIC050F	50	40	10	175	35	79	222	120	154	2"1/4	160	1874
DKLUIC063F	63	50	10	200	46	98	266	120	184	2"3/4	190	2812

## PTFE

Codice	d	DN	PN	B	B <sub>1</sub>	E	H	H	La	R <sub>1</sub>	Z	g
DKLUIC025P	25	20	10	118	30	50	154	80	108	1"1/4	116	606
DKLUIC032P	32	25	10	127	33	58	168	80	116	1"1/2	124	842

## DKLUIC - Valvola a membrana a 2 vie DIALOCK® DN 15:65

Codice	d	DN	PN	B	B <sub>1</sub>	E	H	H	La	R <sub>1</sub>	Z	g
DKLUIC040P	40	32	10	132	30	72	192	80	134	2"	140	975
DKLUIC050P	50	40	10	175	35	79	222	120	154	2"1/4	160	1874
DKLUIC063P	63	50	10	200	46	98	266	120	184	2"3/4	190	2812
DKLUIC020P	20	15	10	115	25	41	129	80	90	1"	100	539