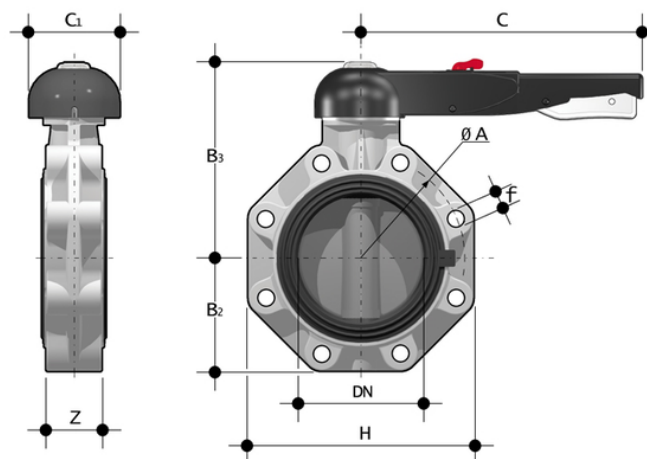


FKOM/LM LUG ANSI - Valvola a farfalla DN 40÷400

Valvola a farfalla a comando manuale, versione Lug ANSI.



EPDM

Codice	d	DN	PN	øA	B ₂	B ₃	C	C ₁	f	H	U	Z	g
FKOALMLM112E	1" 1/2	40	10	98,4	106	60	175	100	1/2"	132	4	33	1100
FKOALMLM200E	2"	50	10	120,6	112	70	175	100	5/8"	147	4	43	1380
FKOALMLM212E	2" 1/2	65	10	140	119	80	175	110	5/8"	165	4	46	1770
FKOALMLM300E	3"	80	10	152	133	93	272	100	5/8"	185	12	49	2570
FKOALMLM400E	4"	100	10	191	147	107	272	110	5/8"	211	8	56	2920
FKOALMLM500E	5"	125	10	216	167	120	330	110	3/4"	240	8	64	4600
FKOALMLM600E	6"	150	10	241	180	134	330	110	3/4"	268	8	70	5350
FKOALMLM800E	8"	200	10	298	227	161	420	122	3/4"	323	8	71	8250

FKM

Codice	d	DN	PN	øA	B ₂	B ₃	C	C ₁	f	H	U	Z	g
FKOALMLM112F	1" 1/2	40	10	98,4	106	60	175	100	1/2"	132	4	33	1100
FKOALMLM200F	2"	50	10	120,6	112	70	175	100	5/8"	147	4	43	1380
FKOALMLM212F	2" 1/2	65	10	140	119	80	175	110	5/8"	165	4	46	1770
FKOALMLM300F	3"	80	10	152	133	93	272	100	5/8"	185	12	49	2570
FKOALMLM400F	4"	100	10	191	147	107	272	110	5/8"	211	8	56	2920
FKOALMLM500F	5"	125	10	216	167	120	330	110	3/4"	240	8	64	4600



FKOM/LM LUG ANSI - Valvola a farfalla DN 40÷400

Codice	d	DN	PN	øA	B ₂	B ₃	C	C ₁	f	H	U	Z	g
FKOALMLM600F	6"	150	10	241	180	134	330	110	3/4"	268	8	70	5350
FKOALMLM800F	8"	200	10	298	227	161	420	122	3/4"	323	8	71	8250