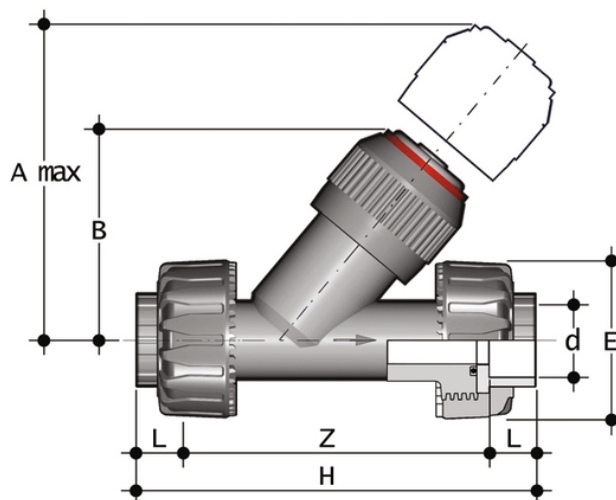


# VRUIV - Valvola di ritegno DN 10:100

Valvola di ritegno con attacchi a bocchettone femmina per incollaggio.



## EPDM

| Codice    | d  | DN | PN | A max | B   | E   | H   | L    | Z     | Fig. | g    |
|-----------|----|----|----|-------|-----|-----|-----|------|-------|------|------|
| VRUIV016E | 16 | 10 | 16 | 125   | 72  | 55  | 135 | 14   | 107   | A    | 218  |
| VRUIV020E | 20 | 15 | 16 | 125   | 72  | 55  | 135 | 16   | 103   | A    | 226  |
| VRUIV025E | 25 | 20 | 16 | 145   | 84  | 66  | 158 | 19   | 120   | A    | 388  |
| VRUIV032E | 32 | 25 | 16 | 165   | 95  | 75  | 176 | 22   | 132   | A    | 606  |
| VRUIV040E | 40 | 32 | 16 | 190   | 111 | 87  | 207 | 26   | 155   | A    | 923  |
| VRUIV050E | 50 | 40 | 16 | 210   | 120 | 100 | 243 | 31   | 181   | A    | 1335 |
| VRUIV063E | 63 | 50 | 16 | 240   | 139 | 120 | 298 | 38,2 | 221,6 | A    | 2313 |

## FKM

| Codice    | d  | DN | PN | A max | B   | E   | H   | L    | Z     | Fig. | g    |
|-----------|----|----|----|-------|-----|-----|-----|------|-------|------|------|
| VRUIV016F | 16 | 10 | 16 | 125   | 72  | 55  | 135 | 14   | 107   | A    | 218  |
| VRUIV020F | 20 | 15 | 16 | 125   | 72  | 55  | 135 | 16   | 103   | A    | 226  |
| VRUIV025F | 25 | 20 | 16 | 145   | 84  | 66  | 158 | 19   | 120   | A    | 388  |
| VRUIV032F | 32 | 25 | 16 | 165   | 95  | 75  | 176 | 22   | 132   | A    | 606  |
| VRUIV040F | 40 | 32 | 16 | 190   | 111 | 87  | 207 | 26   | 155   | A    | 923  |
| VRUIV050F | 50 | 40 | 16 | 210   | 120 | 100 | 243 | 31   | 181   | A    | 1335 |
| VRUIV063F | 63 | 50 | 16 | 240   | 139 | 120 | 298 | 38,2 | 221,6 | A    | 2313 |