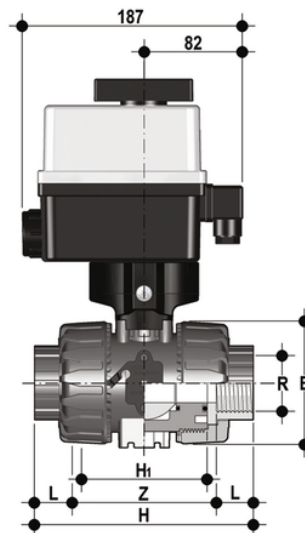


VKDFM/CE 24 V AC/DC - valvola a sfera a 2 vie DUAL BLOCK® a comando elettrico DN 10:50

Valvola a sfera DUAL BLOCK® con attacchi femmina, filettatura cilindrica gas con attuatore elettrico 24 V AC/DC.



EPDM

| Codice | R | DN | PN | E | H | H | L | Z | g |
|-------------|--------|----|----|-----|-----|-----|----|-----|------|
| VKDFMEL012E | 1/2" | 15 | 10 | 54 | 110 | 65 | 15 | 80 | 1715 |
| VKDFMEL034E | 3/4" | 20 | 10 | 65 | 116 | 70 | 16 | 83 | 1791 |
| VKDFMEL100E | 1" | 25 | 10 | 73 | 134 | 78 | 19 | 96 | 1871 |
| VKDFMEL114E | 1" 1/4 | 32 | 10 | 86 | 153 | 88 | 21 | 110 | 2156 |
| VKDFMEL112E | 1" 1/2 | 40 | 10 | 98 | 156 | 93 | 21 | 113 | 2358 |
| VKDFMEL200E | 2" | 50 | 10 | 122 | 186 | 111 | 26 | 135 | 2807 |

FKM

| Codice | R | DN | PN | E | H | H | L | Z | g |
|-------------|--------|----|----|-----|-----|-----|----|-----|------|
| VKDFMEL012F | 1/2" | 15 | 10 | 54 | 110 | 65 | 15 | 80 | 1720 |
| VKDFMEL034F | 3/4" | 20 | 10 | 65 | 116 | 70 | 16 | 83 | 1715 |
| VKDFMEL100F | 1" | 25 | 10 | 73 | 134 | 78 | 19 | 96 | 1791 |
| VKDFMEL114F | 1" 1/4 | 32 | 10 | 86 | 153 | 88 | 21 | 110 | 1871 |
| VKDFMEL112F | 1" 1/2 | 40 | 10 | 98 | 156 | 93 | 21 | 113 | 2156 |
| VKDFMEL200F | 2" | 50 | 10 | 122 | 186 | 111 | 26 | 135 | 2358 |