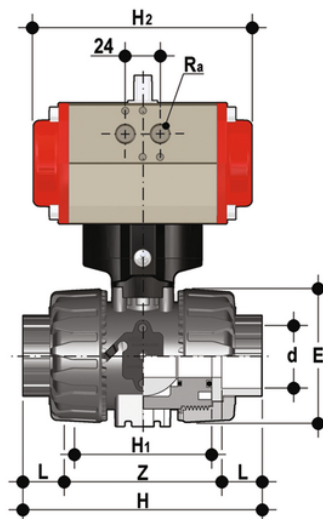


VKDLV/CP DA - Valvola a sfera a 2 vie DUAL BLOCK® a comando pneumatico DN 10:50

Valvola a sfera a due vie DUAL BLOCK® con attacchi femmina per incollaggio, serie BS con attuatore pneumatico, funzione Doppio Effetto.



EPDM

| Codice | R | DN | PN | E | H | H | L | Z | H ₂ | R _a | B | B ₁ | E ₁ | g |
|-------------|--------|----|----|-----|-----|-----|------|-----|----------------|----------------|-------|----------------|----------------|------|
| VKDLVDA038E | 3/8" | 10 | 16 | 54 | 103 | 65 | 14,5 | 74 | 160 | G1/8" | 135 | 29 | 60,5 | 1155 |
| VKDLVDA012E | 1/2" | 15 | 16 | 54 | 110 | 65 | 16,5 | 70 | 160 | G1/8" | 135 | 29 | 60,5 | 1145 |
| VKDLVDA034E | 3/4" | 20 | 16 | 65 | 116 | 70 | 19 | 77 | 138 | G1/8" | 156,5 | 34,5 | 75 | 1473 |
| VKDLVDA100E | 1" | 25 | 16 | 73 | 134 | 78 | 22,5 | 83 | 138 | G1/8" | 161 | 39 | 75 | 1581 |
| VKDLVDA114E | 1" 1/4 | 32 | 16 | 86 | 153 | 88 | 26 | 94 | 155,5 | G1/4" | 194 | 46 | 86 | 2469 |
| VKDLVDA112E | 1" 1/2 | 40 | 16 | 98 | 156 | 93 | 30 | 104 | 155,5 | G1/4" | 200 | 52 | 86 | 2701 |
| VKDLVDA200E | 2" | 50 | 16 | 122 | 186 | 111 | 36 | 127 | 155,5 | G1/4" | 217 | 52 | 86 | 3318 |

FKM

| Codice | R | DN | PN | E | H | H | L | Z | H ₂ | R _a | B | B ₁ | E ₁ | g |
|-------------|--------|----|----|----|-----|----|------|-----|----------------|----------------|-------|----------------|----------------|------|
| VKDLVDA038F | 3/8" | 10 | 16 | 54 | 103 | 65 | 14,5 | 74 | 160 | G1/8" | 135 | 29 | 60,5 | 1155 |
| VKDLVDA012F | 1/2" | 15 | 16 | 54 | 110 | 65 | 16,5 | 70 | 160 | G1/8" | 135 | 29 | 60,5 | 1145 |
| VKDLVDA034F | 3/4" | 20 | 16 | 65 | 116 | 70 | 19 | 77 | 138 | G1/8" | 156,5 | 34,5 | 75 | 1473 |
| VKDLVDA100F | 1" | 25 | 16 | 73 | 134 | 78 | 22,5 | 83 | 138 | G1/8" | 161 | 39 | 75 | 1581 |
| VKDLVDA114F | 1" 1/4 | 32 | 16 | 86 | 153 | 88 | 26 | 94 | 155,5 | G1/4" | 194 | 46 | 86 | 2469 |
| VKDLVDA112F | 1" 1/2 | 40 | 16 | 98 | 156 | 93 | 30 | 104 | 155,5 | G1/4" | 200 | 52 | 86 | 2701 |



VKDLV/CP DA - Valvola a sfera a 2 vie DUAL BLOCK® a comando pneumatico DN 10:50

| Codice | R | DN | PN | E | H | H | L | Z | H ₂ | R _a | B | B ₁ | E ₁ | g |
|-------------|----|----|----|-----|-----|-----|----|-----|----------------|----------------|-----|----------------|----------------|------|
| VKDLVDA200F | 2" | 50 | 16 | 122 | 186 | 111 | 36 | 127 | 155,5 | G1/4" | 217 | 52 | 86 | 3318 |