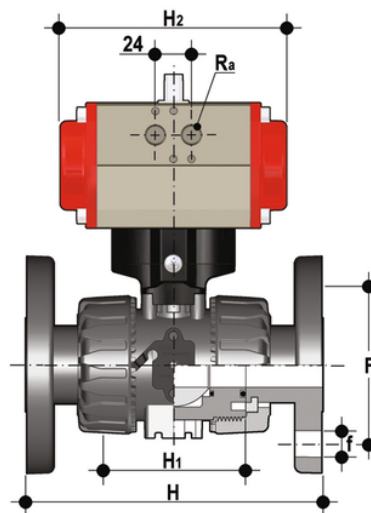


# VKDOC/CP DA – Valvola a sfera a 2 vie DUAL BLOCK® a comando pneumatico DN 10:50

Valvola a sfera DUAL BLOCK® con flange fisse, foratura EN/ISO/DIN PN 10/16, scartamento secondo EN 558-1 con attuatore pneumatico, funzione Doppio Effetto.



## EPDM

| Codice      | d  | DN | PN | H   | H   | F   | f  | U | Sp | H <sub>2</sub> | R <sub>a</sub> | g    |
|-------------|----|----|----|-----|-----|-----|----|---|----|----------------|----------------|------|
| VKDOCDA020E | 20 | 15 | 16 | 130 | 65  | 65  | 14 | 4 | 11 | 160            | G1/8"          | 1162 |
| VKDOCDA025E | 25 | 20 | 16 | 150 | 70  | 75  | 14 | 4 | 14 | 138            | G1/8"          | 1493 |
| VKDOCDA032E | 32 | 25 | 16 | 160 | 78  | 85  | 14 | 4 | 14 | 138            | G1/8"          | 1613 |
| VKDOCDA040E | 40 | 32 | 16 | 180 | 88  | 100 | 18 | 4 | 14 | 155,5          | G1/4"          | 2500 |
| VKDOCDA050E | 50 | 40 | 16 | 200 | 93  | 110 | 18 | 4 | 16 | 155,5          | G1/4"          | 2788 |
| VKDOCDA063E | 63 | 50 | 16 | 230 | 111 | 125 | 18 | 4 | 16 | 155,5          | G1/4"          | 3411 |

## FKM

| Codice      | d  | DN | PN | H   | H   | F   | f  | U | Sp | H <sub>2</sub> | R <sub>a</sub> | g    |
|-------------|----|----|----|-----|-----|-----|----|---|----|----------------|----------------|------|
| VKDOCDA020F | 20 | 15 | 16 | 130 | 65  | 65  | 14 | 4 | 11 | 160            | G1/8"          | 1162 |
| VKDOCDA025F | 25 | 20 | 16 | 150 | 70  | 75  | 14 | 4 | 14 | 138            | G1/8"          | 1493 |
| VKDOCDA032F | 32 | 25 | 16 | 160 | 78  | 85  | 14 | 4 | 14 | 138            | G1/8"          | 1613 |
| VKDOCDA040F | 40 | 32 | 16 | 180 | 88  | 100 | 18 | 4 | 14 | 155,5          | G1/4"          | 2500 |
| VKDOCDA050F | 50 | 40 | 16 | 200 | 93  | 110 | 18 | 4 | 16 | 155,5          | G1/4"          | 2788 |
| VKDOCDA063F | 63 | 50 | 16 | 230 | 111 | 125 | 18 | 4 | 16 | 155,5          | G1/4"          | 3411 |