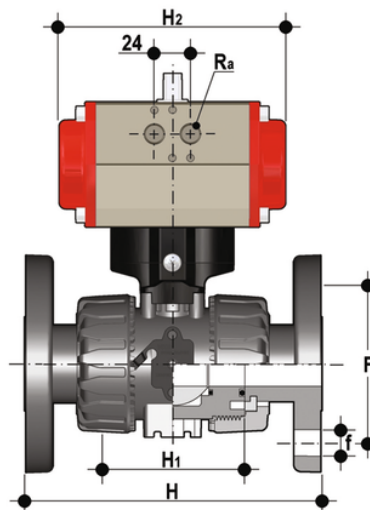


VKDOAC/CP NC - Valvola a sfera a 2 vie DUAL BLOCK® a comando pneumatico DN 10:50

Valvola a sfera DUAL BLOCK® con flange fisse foratura ANSI B16.5 cl.150#FF con attuatore pneumatico, funzione Normalmente Chiusa.



EPDM

| Codice | d | DN | PN | H | H | F | f | U | Sp | H ₂ | R _a | g |
|--------------|--------|----|----|-----|-----|-------|------|---|----|----------------|----------------|------|
| VKDOACNC012E | 1/2" | 15 | 16 | 143 | 65 | 60,3 | 15,9 | 4 | 11 | 160 | G1/8" | 1222 |
| VKDOACNC034E | 3/4" | 20 | 16 | 172 | 70 | 69,9 | 15,9 | 4 | 14 | 138 | G1/8" | 1603 |
| VKDOACNC100E | 1" | 25 | 16 | 187 | 78 | 79,4 | 15,9 | 4 | 14 | 138 | G1/8" | 1723 |
| VKDOACNC114E | 1" 1/4 | 32 | 16 | 190 | 88 | 88,9 | 15,9 | 4 | 14 | 155,5 | G1/4" | 2700 |
| VKDOACNC112E | 1" 1/2 | 40 | 16 | 212 | 93 | 98,4 | 15,9 | 4 | 16 | 155,5 | G1/4" | 2988 |
| VKDOACNC200E | 2" | 50 | 16 | 234 | 111 | 120,7 | 19,1 | 4 | 16 | 155,5 | G1/4" | 3611 |

FKM

| Codice | d | DN | PN | H | H | F | f | U | Sp | H ₂ | R _a | g |
|--------------|--------|----|----|-----|-----|-------|------|---|----|----------------|----------------|------|
| VKDOACNC012F | 1/2" | 15 | 16 | 143 | 65 | 60,3 | 15,9 | 4 | 11 | 160 | G1/8" | 1222 |
| VKDOACNC034F | 3/4" | 20 | 16 | 172 | 70 | 69,9 | 15,9 | 4 | 14 | 138 | G1/8" | 1603 |
| VKDOACNC100F | 1" | 25 | 16 | 187 | 78 | 79,4 | 15,9 | 4 | 14 | 138 | G1/8" | 1723 |
| VKDOACNC114F | 1" 1/4 | 32 | 16 | 190 | 88 | 88,9 | 15,9 | 4 | 14 | 155,5 | G1/4" | 2700 |
| VKDOACNC112F | 1" 1/2 | 40 | 16 | 212 | 93 | 98,4 | 15,9 | 4 | 16 | 155,5 | G1/4" | 2988 |
| VKDOACNC200F | 2" | 50 | 16 | 234 | 111 | 120,7 | 19,1 | 4 | 16 | 155,5 | G1/4" | 3611 |