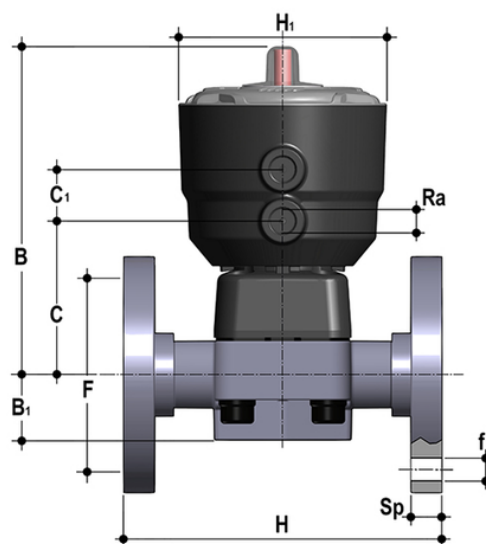


DKOM/CP DA - Valvola a membrana a comando pneumatico PN10 DN 15:65

Valvola a membrana a comando pneumatico con corpo flangiato monolitico foratura PN10/16. Scartamento secondo EN 558-1. Funzione Doppio Effetto.



EPDM

| Codice | d | DN | PN | B | B ₁ | C | C ₁ | F | Øf | H | H | R _a | U | Sp | g |
|------------|----|----|----|-----|----------------|-----|----------------|-----|----|-----|-----|----------------|---|------|------|
| DKOMDA020E | 20 | 15 | 10 | 148 | 25 | 66 | 24 | 65 | 14 | 130 | 97 | 1/4" | 4 | 13.5 | 697 |
| DKOMDA025E | 25 | 20 | 10 | 151 | 30 | 69 | 24 | 75 | 14 | 150 | 97 | 1/4" | 4 | 13.5 | 735 |
| DKOMDA032E | 32 | 25 | 10 | 159 | 33 | 78 | 24 | 85 | 14 | 160 | 97 | 1/4" | 4 | 13.5 | 989 |
| DKOMDA040E | 40 | 32 | 10 | 163 | 30 | 82 | 24 | 100 | 18 | 180 | 97 | 1/4" | 4 | 14 | 1084 |
| DKOMDA050E | 50 | 40 | 10 | 207 | 35 | 112 | 24 | 110 | 18 | 200 | 126 | 1/4" | 4 | 16 | 2241 |
| DKOMDA063E | 63 | 50 | 10 | 245 | 46 | 142 | 24 | 125 | 18 | 230 | 157 | 1/4" | 4 | 16 | 3895 |
| DKOMDA075E | 75 | 65 | 10 | 245 | 46 | 142 | 24 | 145 | 18 | 290 | 157 | 1/4" | 4 | 21 | 4439 |

FKM

| Codice | d | DN | PN | B | B ₁ | C | C ₁ | F | Øf | H | H | R _a | U | Sp | g |
|------------|----|----|----|-----|----------------|-----|----------------|-----|----|-----|-----|----------------|---|------|------|
| DKOMDA020F | 20 | 15 | 10 | 148 | 25 | 66 | 24 | 65 | 14 | 130 | 97 | 1/4" | 4 | 13.5 | 697 |
| DKOMDA025F | 25 | 20 | 10 | 151 | 30 | 69 | 24 | 75 | 14 | 150 | 97 | 1/4" | 4 | 13.5 | 735 |
| DKOMDA032F | 32 | 25 | 10 | 159 | 33 | 78 | 24 | 85 | 14 | 160 | 97 | 1/4" | 4 | 13.5 | 989 |
| DKOMDA040F | 40 | 32 | 10 | 163 | 30 | 82 | 24 | 100 | 18 | 180 | 97 | 1/4" | 4 | 14 | 1084 |
| DKOMDA050F | 50 | 40 | 10 | 207 | 35 | 112 | 24 | 110 | 18 | 200 | 126 | 1/4" | 4 | 16 | 2241 |
| DKOMDA063F | 63 | 50 | 10 | 245 | 46 | 142 | 24 | 125 | 18 | 230 | 157 | 1/4" | 4 | 16 | 3895 |

DKOM/CP DA - Valvola a membrana a comando pneumatico PN10 DN 15:65

| Codice | d | DN | PN | B | B ₁ | C | C ₁ | F | Øf | H | H | R _a | U | Sp | g |
|------------|----|----|----|-----|----------------|-----|----------------|-----|----|-----|-----|----------------|---|----|------|
| DKOMDA075F | 75 | 65 | 10 | 245 | 46 | 142 | 24 | 145 | 18 | 290 | 157 | 1/4" | 4 | 21 | 4439 |

PTFE

| Codice | d | DN | PN | B | B ₁ | C | C ₁ | F | Øf | H | H | R _a | U | Sp | g |
|------------|----|----|----|-----|----------------|-----|----------------|-----|----|-----|-----|----------------|---|------|------|
| DKOMDA020P | 20 | 15 | 10 | 148 | 25 | 66 | 24 | 65 | 14 | 130 | 97 | 1/4" | 4 | 13.5 | 697 |
| DKOMDA025P | 25 | 20 | 10 | 151 | 30 | 69 | 24 | 75 | 14 | 150 | 97 | 1/4" | 4 | 13.5 | 735 |
| DKOMDA032P | 32 | 25 | 10 | 159 | 33 | 78 | 24 | 85 | 14 | 160 | 97 | 1/4" | 4 | 13.5 | 989 |
| DKOMDA040P | 40 | 32 | 10 | 163 | 30 | 82 | 24 | 100 | 18 | 180 | 97 | 1/4" | 4 | 14 | 1084 |
| DKOMDA050P | 50 | 40 | 10 | 207 | 35 | 112 | 24 | 110 | 18 | 200 | 126 | 1/4" | 4 | 16 | 2241 |
| DKOMDA063P | 63 | 50 | 10 | 245 | 46 | 142 | 24 | 125 | 18 | 230 | 157 | 1/4" | 4 | 16 | 3895 |
| DKOMDA075P | 75 | 65 | 10 | 245 | 46 | 142 | 24 | 145 | 18 | 290 | 157 | 1/4" | 4 | 21 | 4439 |