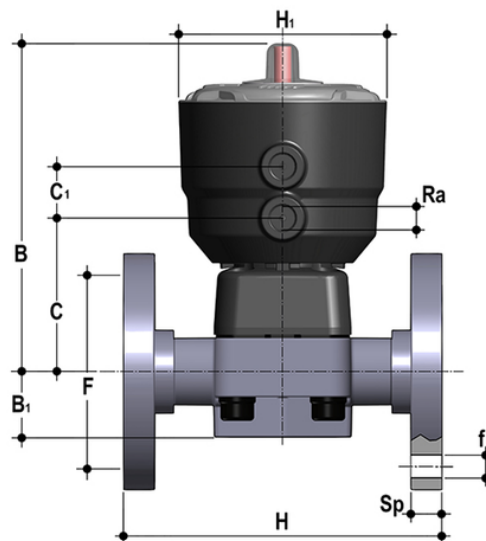


DKOAM/CP NC - Valvola a membrana a comando pneumatico PN10 DN 15:65

Valvola a membrana a comando pneumatico con corpo flangiato monolitico foratura ANSI B16.5 cl. 150 #FF. Funzione Normalmente Chiusa.



EPDM

| Codice | d | DN | PN | B | B ₁ | C | C ₁ | F | Øf | H | H | R _a | U | Sp | g |
|-------------|--------|----|----|-----|----------------|-----|----------------|--------|------|-----|-----|----------------|---|------|------|
| DKOAMNC012E | 1/2" | 15 | 10 | 148 | 25 | 66 | 24 | 60,30 | 14 | 108 | 97 | 1/4" | 4 | 13.5 | 817 |
| DKOAMNC034E | 3/4" | 20 | 10 | 151 | 30 | 69 | 24 | 69,90 | 15.7 | 120 | 97 | 1/4" | 4 | 13.5 | 865 |
| DKOAMNC100E | 1" | 25 | 10 | 159 | 33 | 78 | 24 | 79,40 | 15.7 | 131 | 97 | 1/4" | 4 | 13.5 | 1109 |
| DKOAMNC114E | 1" 1/4 | 32 | 10 | 163 | 30 | 82 | 24 | 88,90 | 15.7 | 162 | 97 | 1/4" | 4 | 14 | 1194 |
| DKOAMNC112E | 1" 1/2 | 40 | 10 | 207 | 35 | 112 | 24 | 98,40 | 15.7 | 180 | 126 | 1/4" | 4 | 16 | 2943 |
| DKOAMNC200E | 2" | 50 | 10 | 245 | 46 | 142 | 24 | 120,70 | 19 | 210 | 157 | 1/4" | 4 | 16 | 6115 |
| DKOAMNC212E | 2" 1/2 | 65 | 10 | 245 | 46 | 142 | 24 | 139,70 | 19 | 250 | 157 | 1/4" | 4 | 21 | 6659 |

FKM

| Codice | d | DN | PN | B | B ₁ | C | C ₁ | F | Øf | H | H | R _a | U | Sp | g |
|-------------|--------|----|----|-----|----------------|-----|----------------|--------|------|-----|-----|----------------|---|------|------|
| DKOAMNC012F | 1/2" | 15 | 10 | 148 | 25 | 66 | 24 | 60,30 | 14 | 108 | 97 | 1/4" | 4 | 13.5 | 817 |
| DKOAMNC034F | 3/4" | 20 | 10 | 151 | 30 | 69 | 24 | 69,90 | 15.7 | 120 | 97 | 1/4" | 4 | 13.5 | 865 |
| DKOAMNC100F | 1" | 25 | 10 | 159 | 33 | 78 | 24 | 79,40 | 15.7 | 131 | 97 | 1/4" | 4 | 13.5 | 1109 |
| DKOAMNC114F | 1" 1/4 | 32 | 10 | 163 | 30 | 82 | 24 | 88,90 | 15.7 | 162 | 97 | 1/4" | 4 | 14 | 1194 |
| DKOAMNC112F | 1" 1/2 | 40 | 10 | 207 | 35 | 112 | 24 | 98,40 | 15.7 | 180 | 126 | 1/4" | 4 | 16 | 2943 |
| DKOAMNC200F | 2" | 50 | 10 | 245 | 46 | 142 | 24 | 120,70 | 19 | 210 | 157 | 1/4" | 4 | 16 | 6115 |
| DKOAMNC212F | 2" 1/2 | 65 | 10 | 245 | 46 | 142 | 24 | 139,70 | 19 | 250 | 157 | 1/4" | 4 | 21 | 6659 |

DKOAM/CP NC – Valvola a membrana a comando pneumatico PN10 DN 15:65

PTFE

| Codice | d | DN | PN | B | B ₁ | C | C ₁ | F | Øf | H | H | R _a | U | Sp | g |
|-------------|--------|----|----|-----|----------------|-----|----------------|--------|------|-----|-----|----------------|---|------|------|
| DKOAMNC012P | 1/2" | 15 | 10 | 148 | 25 | 66 | 24 | 60,30 | 14 | 108 | 97 | 1/4" | 4 | 13.5 | 817 |
| DKOAMNC034P | 3/4" | 20 | 10 | 151 | 30 | 69 | 24 | 69,90 | 15.7 | 120 | 97 | 1/4" | 4 | 13.5 | 865 |
| DKOAMNC100P | 1" | 25 | 10 | 159 | 33 | 78 | 24 | 79,40 | 15.7 | 131 | 97 | 1/4" | 4 | 13.5 | 1109 |
| DKOAMNC114P | 1" 1/4 | 32 | 10 | 163 | 30 | 82 | 24 | 88,90 | 15.7 | 162 | 97 | 1/4" | 4 | 14 | 1194 |
| DKOAMNC112P | 1" 1/2 | 40 | 10 | 207 | 35 | 112 | 24 | 98,40 | 15.7 | 180 | 126 | 1/4" | 4 | 16 | 2943 |
| DKOAMNC200P | 2" | 50 | 10 | 245 | 46 | 142 | 24 | 120,70 | 19 | 210 | 157 | 1/4" | 4 | 16 | 6115 |
| DKOAMNC212P | 2" 1/2 | 65 | 10 | 245 | 46 | 142 | 24 | 139,70 | 19 | 250 | 157 | 1/4" | 4 | 21 | 6659 |