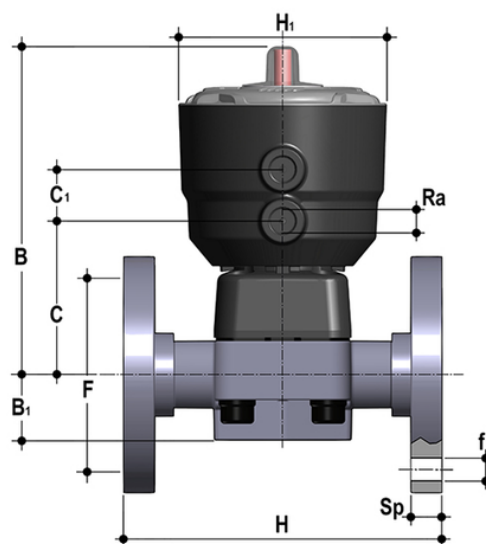


# DKOM/CP NC - Valvola a membrana a comando pneumatico PN10 DN 15:65

Valvola a membrana a comando pneumatico con corpo flangiato monolitico foratura PN10/16. Scartamento secondo EN 558-1. Funzione Normalmente Chiusa.



## EPDM

Codice	d	DN	PN	B	B <sub>1</sub>	C	C <sub>1</sub>	F	Øf	H	H	R <sub>a</sub>	U	Sp	g
DKOMNC020E	20	15	10	148	25	66	24	65	14	130	97	1/4"	4	13.5	817
DKOMNC025E	25	20	10	151	30	69	24	75	14	150	97	1/4"	4	13.5	865
DKOMNC032E	32	25	10	159	33	78	24	85	14	160	97	1/4"	4	13.5	1109
DKOMNC040E	40	32	10	163	30	82	24	100	18	180	97	1/4"	4	14	1194
DKOMNC050E	50	40	10	207	35	112	24	110	18	200	126	1/4"	4	16	2943
DKOMNC063E	63	50	10	245	46	142	24	125	18	230	157	1/4"	4	16	6115
DKOMNC075E	75	65	10	245	46	142	24	145	18	290	157	1/4"	4	21	6659

## FKM

Codice	d	DN	PN	B	B <sub>1</sub>	C	C <sub>1</sub>	F	Øf	H	H	R <sub>a</sub>	U	Sp	g
DKOMNC020F	20	15	10	148	25	66	24	65	14	130	97	1/4"	4	13.5	817
DKOMNC025F	25	20	10	151	30	69	24	75	14	150	97	1/4"	4	13.5	865
DKOMNC032F	32	25	10	159	33	78	24	85	14	160	97	1/4"	4	13.5	1109
DKOMNC040F	40	32	10	163	30	82	24	100	18	180	97	1/4"	4	14	1194
DKOMNC050F	50	40	10	207	35	112	24	110	18	200	126	1/4"	4	16	2943
DKOMNC063F	63	50	10	245	46	142	24	125	18	230	157	1/4"	4	16	6115

# DKOM/CP NC – Valvola a membrana a comando pneumatico PN10 DN 15:65

Codice	d	DN	PN	B	B <sub>1</sub>	C	C <sub>1</sub>	F	Øf	H	H	R <sub>a</sub>	U	Sp	g
DKOMNC075F	75	65	10	245	46	142	24	145	18	290	157	1/4"	4	21	6659

## PTFE

Codice	d	DN	PN	B	B <sub>1</sub>	C	C <sub>1</sub>	F	Øf	H	H	R <sub>a</sub>	U	Sp	g
DKOMNC020P	20	15	10	148	25	66	24	65	14	130	97	1/4"	4	13.5	817
DKOMNC025P	25	20	10	151	30	69	24	75	14	150	97	1/4"	4	13.5	865
DKOMNC032P	32	25	10	159	33	78	24	85	14	160	97	1/4"	4	13.5	1109
DKOMNC040P	40	32	10	163	30	82	24	100	18	180	97	1/4"	4	14	1194
DKOMNC050P	50	40	10	207	35	112	24	110	18	200	126	1/4"	4	16	2943
DKOMNC063P	63	50	10	245	46	142	24	125	18	230	157	1/4"	4	16	6115
DKOMNC075P	75	65	10	245	46	142	24	145	18	290	157	1/4"	4	21	6659