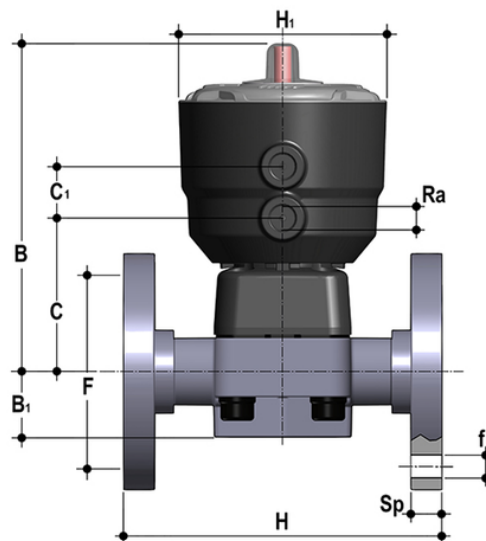


DKOAC/CP NC - Valvola a membrana a comando pneumatico PN10 DN 15:65

Valvola a membrana a comando pneumatico con corpo flangiato monolitico foratura ANSI B16.5 cl. 150 #FF. Funzione Normalmente Chiusa.



EPDM

Codice	d	DN	PN	B	B ₁	C	C ₁	F	Øf	H	H	R _a	U	Sp	g
DKOACNC012E	1/2"	15	10	148	25	66	24	60,30	14	108	97	1/4"	4	13.5	962
DKOACNC034E	3/4"	20	10	151	30	69	24	69,90	15.7	120	97	1/4"	4	13.5	1053
DKOACNC100E	1"	25	10	159	33	78	24	79,40	15.7	131	97	1/4"	4	13.5	1339
DKOACNC114E	1" 1/4	32	10	163	30	82	24	88,90	15.7	162	97	1/4"	4	14	1553
DKOACNC112E	1" 1/2	40	10	207	35	112	24	98,40	15.7	180	126	1/4"	4	16	3471
DKOACNC200E	2"	50	10	245	46	142	24	120,70	19	210	157	1/4"	4	16	6862
DKOACNC212E	2" 1/2	65	10	245	46	142	24	139,70	19	250	157	1/4"	4	21	7535

FKM

Codice	d	DN	PN	B	B ₁	C	C ₁	F	Øf	H	H	R _a	U	Sp	g
DKOACNC012F	1/2"	15	10	148	25	66	24	60,30	14	108	97	1/4"	4	13.5	962
DKOACNC034F	3/4"	20	10	151	30	69	24	69,90	15.7	120	97	1/4"	4	13.5	1053
DKOACNC100F	1"	25	10	159	33	78	24	79,40	15.7	131	97	1/4"	4	13.5	1339
DKOACNC114F	1" 1/4	32	10	163	30	82	24	88,90	15.7	162	97	1/4"	4	14	1553
DKOACNC112F	1" 1/2	40	10	207	35	112	24	98,40	15.7	180	126	1/4"	4	16	3471
DKOACNC200F	2"	50	10	245	46	142	24	120,70	19	210	157	1/4"	4	16	6862
DKOACNC212F	2" 1/2	65	10	245	46	142	24	139,70	19	250	157	1/4"	4	21	7535

DKOAC/CP NC - Valvola a membrana a comando pneumatico PN10 DN 15:65

PTFE

Codice	d	DN	PN	B	B ₁	C	C ₁	F	Øf	H	H	R _a	U	Sp	g
DKOACNC012P	1/2"	15	10	148	25	66	24	60,30	14	108	97	1/4"	4	13.5	962
DKOACNC034P	3/4"	20	10	151	30	69	24	69,90	15.7	120	97	1/4"	4	13.5	1053
DKOACNC100P	1"	25	10	159	33	78	24	79,40	15.7	131	97	1/4"	4	13.5	1339
DKOACNC114P	1" 1/4	32	10	163	30	82	24	88,90	15.7	162	97	1/4"	4	14	1553
DKOACNC112P	1" 1/2	40	10	207	35	112	24	98,40	15.7	180	126	1/4"	4	16	3471
DKOACNC200P	2"	50	10	245	46	142	24	120,70	19	210	157	1/4"	4	16	6862
DKOACNC212P	2" 1/2	65	10	245	46	142	24	139,70	19	250	157	1/4"	4	21	7535