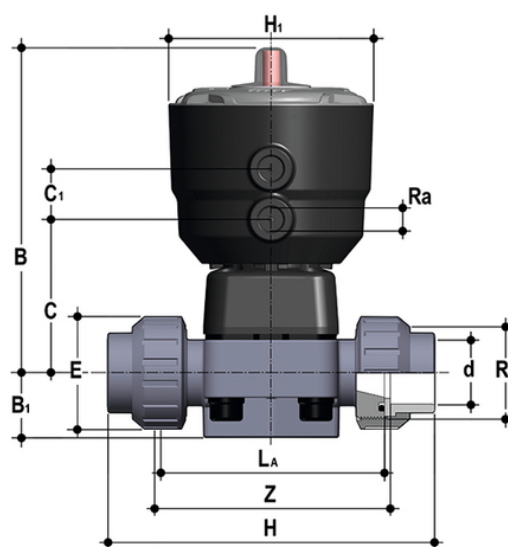


DKUIC/CP NO – Valvola a membrana a comando pneumatico PN10 DN 15:65

Valvola a membrana a comando pneumatico con attacchi a bocchettone femmina per incollaggio, serie metrica. Funzione Normalmente Aperta.



EPDM

| Codice | d | DN | PN | B | B ₁ | C | C ₁ | E | H | H | L _a | R ₁ | R _a | Z | g |
|-------------|----|----|----|-----|----------------|-----|----------------|----|-----|-----|----------------|----------------|----------------|-----|------|
| DKUICNO020E | 20 | 15 | 10 | 148 | 25 | 66 | 24 | 41 | 129 | 97 | 90 | 1" | 1/4" | 100 | 744 |
| DKUICNO025E | 25 | 20 | 10 | 151 | 30 | 69 | 24 | 50 | 154 | 97 | 108 | 1 1/4" | 1/4" | 116 | 811 |
| DKUICNO032E | 32 | 25 | 10 | 159 | 33 | 78 | 24 | 58 | 168 | 97 | 116 | 1 1/2" | 1/4" | 124 | 1047 |
| DKUICNO040E | 40 | 32 | 10 | 163 | 30 | 82 | 24 | 72 | 192 | 97 | 134 | 2" | 1/4" | 140 | 1180 |
| DKUICNO050E | 50 | 40 | 10 | 207 | 35 | 112 | 24 | 79 | 222 | 126 | 154 | 2 1/4" | 1/4" | 160 | 2508 |
| DKUICNO063E | 63 | 50 | 10 | 245 | 46 | 142 | 24 | 98 | 266 | 157 | 184 | 2 3/4" | 1/4" | 190 | 4606 |

FKM

| Codice | d | DN | PN | B | B ₁ | C | C ₁ | E | H | H | L _a | R ₁ | R _a | Z | g |
|-------------|----|----|----|-----|----------------|-----|----------------|----|-----|-----|----------------|----------------|----------------|-----|------|
| DKUICNO020F | 20 | 15 | 10 | 148 | 25 | 66 | 24 | 41 | 129 | 97 | 90 | 1" | 1/4" | 100 | 744 |
| DKUICNO025F | 25 | 20 | 10 | 151 | 30 | 69 | 24 | 50 | 154 | 97 | 108 | 1 1/4" | 1/4" | 116 | 811 |
| DKUICNO032F | 32 | 25 | 10 | 159 | 33 | 78 | 24 | 58 | 168 | 97 | 116 | 1 1/2" | 1/4" | 124 | 1047 |
| DKUICNO040F | 40 | 32 | 10 | 163 | 30 | 82 | 24 | 72 | 192 | 97 | 134 | 2" | 1/4" | 140 | 1180 |
| DKUICNO050F | 50 | 40 | 10 | 207 | 35 | 112 | 24 | 79 | 222 | 126 | 154 | 2 1/4" | 1/4" | 160 | 2508 |
| DKUICNO063F | 63 | 50 | 10 | 245 | 46 | 142 | 24 | 98 | 266 | 157 | 184 | 2 3/4" | 1/4" | 190 | 4606 |

DKUIC/CP NO – Valvola a membrana a comando pneumatico PN10 DN 15:65

PTFE

| Codice | d | DN | PN | B | B ₁ | C | C ₁ | E | H | H | L _a | R ₁ | R _a | Z | g |
|-------------|----|----|----|-----|----------------|-----|----------------|----|-----|-----|----------------|----------------|----------------|-----|------|
| DKUICNO020P | 20 | 15 | 10 | 148 | 25 | 66 | 24 | 41 | 129 | 97 | 90 | 1" | 1/4" | 100 | 744 |
| DKUICNO025P | 25 | 20 | 10 | 151 | 30 | 69 | 24 | 50 | 154 | 97 | 108 | 1"1/4 | 1/4" | 116 | 811 |
| DKUICNO032P | 32 | 25 | 10 | 159 | 33 | 78 | 24 | 58 | 168 | 97 | 116 | 1"1/2 | 1/4" | 124 | 1047 |
| DKUICNO040P | 40 | 32 | 10 | 163 | 30 | 82 | 24 | 72 | 192 | 97 | 134 | 2" | 1/4" | 140 | 1180 |
| DKUICNO050P | 50 | 40 | 10 | 207 | 35 | 112 | 24 | 79 | 222 | 126 | 154 | 2"1/4 | 1/4" | 160 | 2508 |
| DKUICNO063P | 63 | 50 | 10 | 245 | 46 | 142 | 24 | 98 | 266 | 157 | 184 | 2"3/4 | 1/4" | 190 | 4606 |