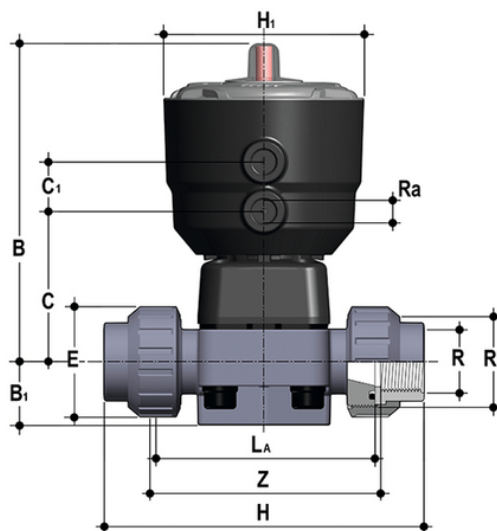


# DKUFV/CP DA - Valvola a membrana a comando pneumatico PN10 DN 15:65

Valvola a membrana a comando pneumatico con attacchi a bocchettone femmina, filettatura cilindrica gas. Funzione Doppio Effetto.



## EPDM

Codice	R	DN	PN	B	B <sub>1</sub>	C	C <sub>1</sub>	E	H	H	L <sub>a</sub>	R <sub>1</sub>	R <sub>a</sub>	Z	g
DKUFVDA012E	1/2"	15	10	148	25	66	24	41	131	97	90	1"	1/4"	97	615
DKUFVDA034E	3/4"	20	10	151	30	69	24	50	151	97	108	1 1/4"	1/4"	118	677
DKUFVDA100E	1"	25	10	159	33	78	24	58	165	97	116	1 1/2"	1/4"	127	905
DKUFVDA114E	1 1/4"	32	10	163	30	82	24	72	188	97	134	2"	1/4"	145	1031
DKUFVDA112E	1 1/2"	40	10	207	35	112	24	79	208	126	154	2 1/2"	1/4"	165	2220
DKUFVDA200E	2"	50	10	245	46	142	24	98	246	157	184	2 3/4"	1/4"	195	4084

## FKM

Codice	R	DN	PN	B	B <sub>1</sub>	C	C <sub>1</sub>	E	H	H	L <sub>a</sub>	R <sub>1</sub>	R <sub>a</sub>	Z	g
DKUFVDA012F	1/2"	15	10	148	25	66	24	41	131	97	90	1"	1/4"	97	615
DKUFVDA034F	3/4"	20	10	151	30	69	24	50	151	97	108	1 1/4"	1/4"	118	677
DKUFVDA100F	1"	25	10	159	33	78	24	58	165	97	116	1 1/2"	1/4"	127	905
DKUFVDA114F	1 1/4"	32	10	163	30	82	24	72	188	97	134	2"	1/4"	145	1031
DKUFVDA112F	1 1/2"	40	10	207	35	112	24	79	208	126	154	2 1/2"	1/4"	165	2220
DKUFVDA200F	2"	50	10	245	46	142	24	98	246	157	184	2 3/4"	1/4"	195	4084

## PTFE

# DKUFV/CP DA – Valvola a membrana a comando pneumatico PN10 DN 15:65

Codice	R	DN	PN	B	B <sub>1</sub>	C	C <sub>1</sub>	E	H	H	L <sub>a</sub>	R <sub>1</sub>	R <sub>a</sub>	Z	g
DKUFVDA012P	1/2"	15	10	148	25	66	24	41	131	97	90	1"	1/4"	97	615
DKUFVDA034P	3/4"	20	10	151	30	69	24	50	151	97	108	1"1/4	1/4"	118	677
DKUFVDA100P	1"	25	10	159	33	78	24	58	165	97	116	1"1/2	1/4"	127	905
DKUFVDA114P	1"1/4	32	10	163	30	82	24	72	188	97	134	2"	1/4"	145	1031
DKUFVDA112P	1"1/2	40	10	207	35	112	24	79	208	126	154	2"1/2	1/4"	165	2220
DKUFVDA200P	2"	50	10	245	46	142	24	98	246	157	184	2"3/4	1/4"	195	4084