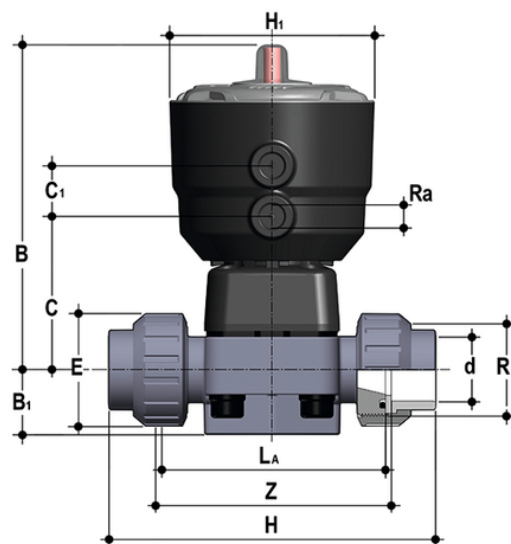


# DKUIC/CP DA - Valvola a membrana a comando pneumatico PN10 DN 15:65

Valvola a membrana a comando pneumatico con attacchi a bocchettone femmina, serie metrica. Funzione Doppio Effetto.



## EPDM

| Codice      | d  | DN | PN | B   | B <sub>1</sub> | C   | C <sub>1</sub> | E  | H   | H   | L <sub>α</sub> | R <sub>1</sub> | R <sub>α</sub> | Z   | g    |
|-------------|----|----|----|-----|----------------|-----|----------------|----|-----|-----|----------------|----------------|----------------|-----|------|
| DKUICDA020E | 20 | 15 | 10 | 148 | 25             | 66  | 24             | 41 | 129 | 97  | 90             | 1"             | 1/4"           | 100 | 624  |
| DKUICDA025E | 25 | 20 | 10 | 151 | 30             | 69  | 24             | 50 | 154 | 97  | 108            | 1"1/4          | 1/4"           | 116 | 691  |
| DKUICDA032E | 32 | 25 | 10 | 159 | 33             | 78  | 24             | 58 | 168 | 97  | 116            | 1"1/2          | 1/4"           | 124 | 927  |
| DKUICDA040E | 40 | 32 | 10 | 163 | 30             | 82  | 24             | 72 | 192 | 97  | 134            | 2"             | 1/4"           | 140 | 1060 |
| DKUICDA050E | 50 | 40 | 10 | 207 | 35             | 112 | 24             | 79 | 222 | 126 | 154            | 2"1/4          | 1/4"           | 160 | 2266 |
| DKUICDA063E | 63 | 50 | 10 | 245 | 46             | 142 | 24             | 98 | 266 | 157 | 184            | 2"3/4          | 1/4"           | 190 | 4168 |

## FKM

| Codice      | d  | DN | PN | B   | B <sub>1</sub> | C   | C <sub>1</sub> | E  | H   | H   | L <sub>α</sub> | R <sub>1</sub> | R <sub>α</sub> | Z   | g    |
|-------------|----|----|----|-----|----------------|-----|----------------|----|-----|-----|----------------|----------------|----------------|-----|------|
| DKUICDA020F | 20 | 15 | 10 | 148 | 25             | 66  | 24             | 41 | 129 | 97  | 90             | 1"             | 1/4"           | 100 | 624  |
| DKUICDA025F | 25 | 20 | 10 | 151 | 30             | 69  | 24             | 50 | 154 | 97  | 108            | 1"1/4          | 1/4"           | 116 | 691  |
| DKUICDA032F | 32 | 25 | 10 | 159 | 33             | 78  | 24             | 58 | 168 | 97  | 116            | 1"1/2          | 1/4"           | 124 | 927  |
| DKUICDA040F | 40 | 32 | 10 | 163 | 30             | 82  | 24             | 72 | 192 | 97  | 134            | 2"             | 1/4"           | 140 | 1060 |
| DKUICDA050F | 50 | 40 | 10 | 207 | 35             | 112 | 24             | 79 | 222 | 126 | 154            | 2"1/4          | 1/4"           | 160 | 2266 |
| DKUICDA063F | 63 | 50 | 10 | 245 | 46             | 142 | 24             | 98 | 266 | 157 | 184            | 2"3/4          | 1/4"           | 190 | 4168 |

## PTFE

# DKUIC/CP DA – Valvola a membrana a comando pneumatico PN10 DN 15:65

| Codice      | d  | DN | PN | B   | B <sub>1</sub> | C   | C <sub>1</sub> | E  | H   | H   | L <sub>a</sub> | R <sub>1</sub> | R <sub>a</sub> | Z   | g    |
|-------------|----|----|----|-----|----------------|-----|----------------|----|-----|-----|----------------|----------------|----------------|-----|------|
| DKUICDA020P | 20 | 15 | 10 | 148 | 25             | 66  | 24             | 41 | 129 | 97  | 90             | 1"             | 1/4"           | 100 | 624  |
| DKUICDA025P | 25 | 20 | 10 | 151 | 30             | 69  | 24             | 50 | 154 | 97  | 108            | 1"1/4          | 1/4"           | 116 | 691  |
| DKUICDA032P | 32 | 25 | 10 | 159 | 33             | 78  | 24             | 58 | 168 | 97  | 116            | 1"1/2          | 1/4"           | 124 | 927  |
| DKUICDA040P | 40 | 32 | 10 | 163 | 30             | 82  | 24             | 72 | 192 | 97  | 134            | 2"             | 1/4"           | 140 | 1060 |
| DKUICDA050P | 50 | 40 | 10 | 207 | 35             | 112 | 24             | 79 | 222 | 126 | 154            | 2"1/4          | 1/4"           | 160 | 2266 |
| DKUICDA063P | 63 | 50 | 10 | 245 | 46             | 142 | 24             | 98 | 266 | 157 | 184            | 2"3/4          | 1/4"           | 190 | 4168 |