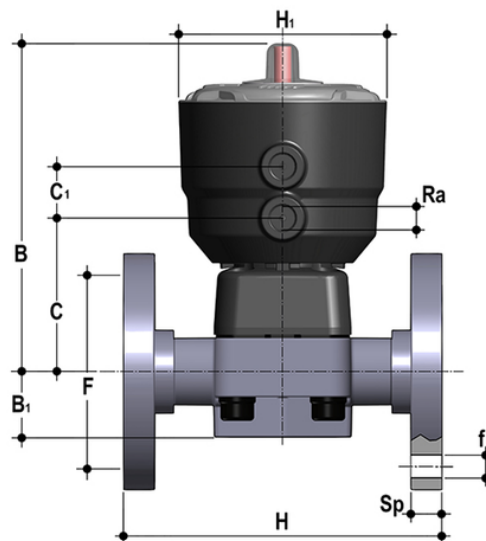


DKOAC/CP DA - Valvola a membrana a comando pneumatico PN10 DN 15:65

Valvola a membrana a comando pneumatico con corpo flangiato monolitico foratura ANSI B16.5 cl. 150 #FF. Funzione Doppio Effetto.



EPDM

Codice	d	DN	PN	B	B ₁	C	C ₁	F	Øf	H	H	R _a	U	Sp	g
DKOACDA012E	1/2"	15	10	148	25	66	24	60,30	14	108	97	1/4"	4	13.5	842
DKOACDA034E	3/4"	20	10	151	30	69	24	69,90	15.7	120	97	1/4"	4	13.5	923
DKOACDA100E	1"	25	10	159	33	78	24	79,40	15.7	131	97	1/4"	4	13.5	1219
DKOACDA114E	1" 1/4	32	10	163	30	82	24	88,90	15.7	162	97	1/4"	4	14	1443
DKOACDA112E	1" 1/2	40	10	207	35	112	24	98,40	15.7	180	126	1/4"	4	16	2769
DKOACDA200E	2"	50	10	245	46	142	24	120,70	19	210	157	1/4"	4	16	4642
DKOACDA212E	2" 1/2	65	10	245	46	142	24	139,70	19	250	157	1/4"	4	21	5315

FKM

Codice	d	DN	PN	B	B ₁	C	C ₁	F	Øf	H	H	R _a	U	Sp	g
DKOACDA012F	1/2"	15	10	148	25	66	24	60,30	14	108	97	1/4"	4	13.5	842
DKOACDA034F	3/4"	20	10	151	30	69	24	69,90	15.7	120	97	1/4"	4	13.5	923
DKOACDA100F	1"	25	10	159	33	78	24	79,40	15.7	131	97	1/4"	4	13.5	1219
DKOACDA114F	1" 1/4	32	10	163	30	82	24	88,90	15.7	162	97	1/4"	4	14	1443
DKOACDA112F	1" 1/2	40	10	207	35	112	24	98,40	15.7	180	126	1/4"	4	16	2769
DKOACDA200F	2"	50	10	245	46	142	24	120,70	19	210	157	1/4"	4	16	4642
DKOACDA212F	2" 1/2	65	10	245	46	142	24	139,70	19	250	157	1/4"	4	21	5315

DKOAC/CP DA – Valvola a membrana a comando pneumatico PN10 DN 15:65

PTFE

Codice	d	DN	PN	B	B ₁	C	C ₁	F	Øf	H	H	R _G	U	Sp	g
DKOACDA012P	1/2"	15	10	148	25	66	24	60,30	14	108	97	1/4"	4	13.5	842
DKOACDA034P	3/4"	20	10	151	30	69	24	69,90	15.7	120	97	1/4"	4	13.5	923
DKOACDA100P	1"	25	10	159	33	78	24	79,40	15.7	131	97	1/4"	4	13.5	1219
DKOACDA114P	1" 1/4	32	10	163	30	82	24	88,90	15.7	162	97	1/4"	4	14	1443
DKOACDA112P	1" 1/2	40	10	207	35	112	24	98,40	15.7	180	126	1/4"	4	16	2769
DKOACDA200P	2"	50	10	245	46	142	24	120,70	19	210	157	1/4"	4	16	4642
DKOACDA212P	2" 1/2	65	10	245	46	142	24	139,70	19	250	157	1/4"	4	21	5315