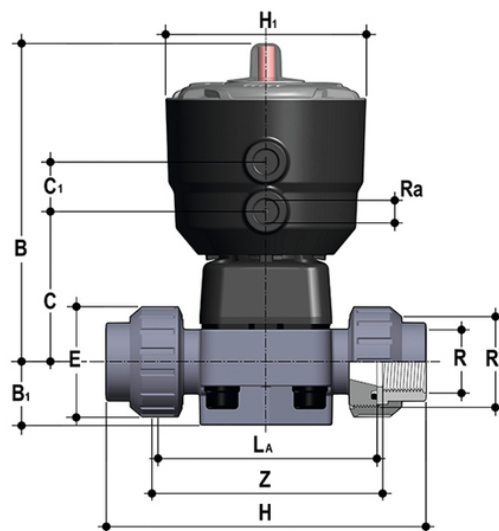


DKUFC/CP DA – Valvola a membrana a comando pneumatico PN10 DN 15:65

Valvola a membrana a comando pneumatico con attacchi a bocchettone femmina, filettatura cilindrica gas. Funzione Doppio Effetto.



EPDM

Codice	R	DN	PN	B	B ₁	C	C ₁	E	H	H	L _a	R ₁	R _a	Z	g
DKUFDA012E	1/2"	15	10	148	25	66	24	41	131	97	90	1"	1/4"	97	624
DKUFDA034E	3/4"	20	10	151	30	69	24	50	151	97	108	1 1/4"	1/4"	118	691
DKUFDA100E	1"	25	10	159	33	78	24	58	165	97	116	1 1/2"	1/4"	127	927
DKUFDA114E	1 1/4"	32	10	163	30	82	24	72	188	97	134	2"	1/4"	145	1060
DKUFDA112E	1 1/2"	40	10	207	35	112	24	79	208	126	154	2 1/2"	1/4"	165	2266
DKUFDA200E	2"	50	10	245	46	142	24	98	246	157	184	2 3/4"	1/4"	195	4168

FKM

Codice	R	DN	PN	B	B ₁	C	C ₁	E	H	H	L _a	R ₁	R _a	Z	g
DKUFDA012F	1/2"	15	10	148	25	66	24	41	131	97	90	1"	1/4"	97	624
DKUFDA034F	3/4"	20	10	151	30	69	24	50	151	97	108	1 1/4"	1/4"	118	691
DKUFDA100F	1"	25	10	159	33	78	24	58	165	97	116	1 1/2"	1/4"	127	927
DKUFDA114F	1 1/4"	32	10	163	30	82	24	72	188	97	134	2"	1/4"	145	1060
DKUFDA112F	1 1/2"	40	10	207	35	112	24	79	208	126	154	2 1/2"	1/4"	165	2266
DKUFDA200F	2"	50	10	245	46	142	24	98	246	157	184	2 3/4"	1/4"	195	4168

PTFE

DKUFC/CP DA – Valvola a membrana a comando pneumatico PN10 DN 15:65

Codice	R	DN	PN	B	B ₁	C	C ₁	E	H	H	L _a	R ₁	R _a	Z	g
DKUFCDA012P	1/2"	15	10	148	25	66	24	41	131	97	90	1"	1/4"	97	624
DKUFCDA034P	3/4"	20	10	151	30	69	24	50	151	97	108	1"1/4	1/4"	118	691
DKUFCDA100P	1"	25	10	159	33	78	24	58	165	97	116	1"1/2	1/4"	127	927
DKUFCDA114P	1"1/4	32	10	163	30	82	24	72	188	97	134	2"	1/4"	145	1060
DKUFCDA112P	1"1/2	40	10	207	35	112	24	79	208	126	154	2"1/2	1/4"	165	2266
DKUFCDA200P	2"	50	10	245	46	142	24	98	246	157	184	2"3/4	1/4"	195	4168