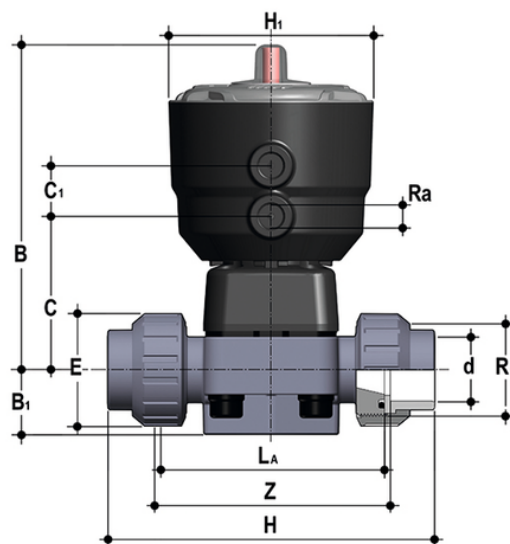


DKULV/CP NC - Valvola a membrana a comando pneumatico PN10 DN 15:65

Valvola a membrana a comando pneumatico con attacchi a bocchettone femmina per incollaggio, serie BS. Funzione Normalmente Chiusa.



EPDM

Codice	d	DN	PN	B	B ₁	C	C ₁	E	H	H	L _a	R ₁	R _a	Z	g
DKULVNC012E	1/2"	15	10	148	25	66	24	41	131	97	90	1"	1/4"	97	735
DKULVNC034E	3/4"	20	10	151	30	69	24	50	154	97	108	1 1/4"	1/4"	116	797
DKULVNC100E	1"	25	10	159	33	78	24	58	166	97	116	1 1/2"	1/4"	121	1025
DKULVNC114E	1 1/4"	32	10	163	30	82	24	72	194	97	134	2"	1/4"	142	1151
DKULVNC112E	1 1/2"	40	10	207	35	112	24	79	222	126	154	2 1/4"	1/4"	162	2922
DKULVNC200E	2"	50	10	245	46	142	24	98	266	157	184	2 3/4"	1/4"	194	6304

FKM

Codice	d	DN	PN	B	B ₁	C	C ₁	E	H	H	L _a	R ₁	R _a	Z	g
DKULVNC012F	1/2"	15	10	148	25	66	24	41	131	97	90	1"	1/4"	97	735
DKULVNC034F	3/4"	20	10	151	30	69	24	50	154	97	108	1 1/4"	1/4"	116	797
DKULVNC100F	1"	25	10	159	33	78	24	58	166	97	116	1 1/2"	1/4"	121	1025
DKULVNC114F	1 1/4"	32	10	163	30	82	24	72	194	97	134	2"	1/4"	142	1151
DKULVNC112F	1 1/2"	40	10	207	35	112	24	79	222	126	154	2 1/4"	1/4"	162	2922
DKULVNC200F	2"	50	10	245	46	142	24	98	266	157	184	2 3/4"	1/4"	194	6304

PTFE

DKULV/CP NC – Valvola a membrana a comando pneumatico PN10 DN 15:65

Codice	d	DN	PN	B	B ₁	C	C ₁	E	H	H	L _a	R ₁	R _a	Z	g
DKULVNC012P	1/2"	15	10	148	25	66	24	41	131	97	90	1"	1/4"	97	735
DKULVNC034P	3/4"	20	10	151	30	69	24	50	154	97	108	1"1/4	1/4"	116	797
DKULVNC100P	1"	25	10	159	33	78	24	58	166	97	116	1"1/2	1/4"	121	1025
DKULVNC114P	1"1/4	32	10	163	30	82	24	72	194	97	134	2"	1/4"	142	1151
DKULVNC112P	1"1/2	40	10	207	35	112	24	79	222	126	154	2"1/4	1/4"	162	2922
DKULVNC200P	2"	50	10	245	46	142	24	98	266	157	184	2"3/4	1/4"	194	6304