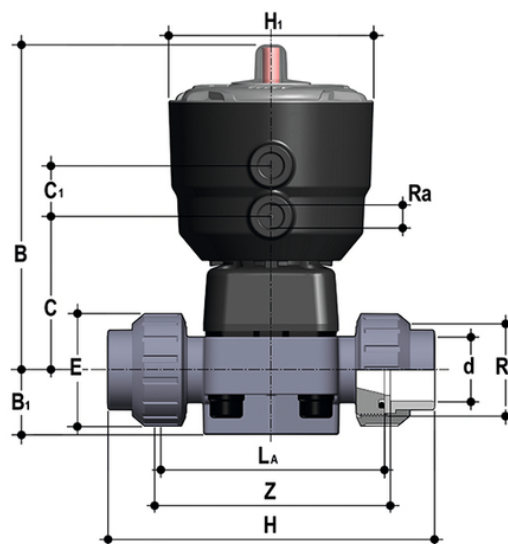


DKUAC/CP NC - Valvola a membrana a comando pneumatico PN10 DN 15:65

Valvola a membrana a comando pneumatico con attacchi a bocchettone femmina per incollaggio, serie ASTM. Funzione Normalmente Chiusa.



EPDM

| Codice | R | DN | PN | B | B ₁ | C | C ₁ | E | H | H | L _g | R ₁ | R _a | Z | g |
|-------------|--------|----|----|-----|----------------|-----|----------------|----|-----|-----|----------------|----------------|----------------|-----|------|
| DKUACNC012E | 1/2" | 15 | 10 | 148 | 25 | 66 | 24 | 41 | 143 | 97 | 90 | 1" | 1/4" | 98 | 744 |
| DKUACNC034E | 3/4" | 20 | 10 | 151 | 30 | 69 | 24 | 50 | 167 | 97 | 108 | 1 1/4" | 1/4" | 115 | 811 |
| DKUACNC100E | 1" | 25 | 10 | 159 | 33 | 78 | 24 | 58 | 180 | 97 | 116 | 1 1/2" | 1/4" | 122 | 1047 |
| DKUACNC114E | 1 1/4" | 32 | 10 | 163 | 30 | 82 | 24 | 72 | 208 | 97 | 134 | 2" | 1/4" | 144 | 1180 |
| DKUACNC112E | 1 1/2" | 40 | 10 | 207 | 35 | 112 | 24 | 79 | 234 | 126 | 154 | 2 1/2" | 1/4" | 164 | 2968 |
| DKUACNC200E | 2" | 50 | 10 | 245 | 46 | 142 | 24 | 98 | 272 | 157 | 184 | 2 3/4" | 1/4" | 195 | 6388 |

FKM

| Codice | R | DN | PN | B | B ₁ | C | C ₁ | E | H | H | L _g | R ₁ | R _a | Z | g |
|-------------|--------|----|----|-----|----------------|-----|----------------|----|-----|-----|----------------|----------------|----------------|-----|------|
| DKUACNC012F | 1/2" | 15 | 10 | 148 | 25 | 66 | 24 | 41 | 143 | 97 | 90 | 1" | 1/4" | 98 | 744 |
| DKUACNC034F | 3/4" | 20 | 10 | 151 | 30 | 69 | 24 | 50 | 167 | 97 | 108 | 1 1/4" | 1/4" | 115 | 811 |
| DKUACNC100F | 1" | 25 | 10 | 159 | 33 | 78 | 24 | 58 | 180 | 97 | 116 | 1 1/2" | 1/4" | 122 | 1047 |
| DKUACNC114F | 1 1/4" | 32 | 10 | 163 | 30 | 82 | 24 | 72 | 208 | 97 | 134 | 2" | 1/4" | 144 | 1180 |
| DKUACNC112F | 1 1/2" | 40 | 10 | 207 | 35 | 112 | 24 | 79 | 234 | 126 | 154 | 2 1/2" | 1/4" | 164 | 2968 |
| DKUACNC200F | 2" | 50 | 10 | 245 | 46 | 142 | 24 | 98 | 272 | 157 | 184 | 2 3/4" | 1/4" | 195 | 6388 |

DKUAC/CP NC – Valvola a membrana a comando pneumatico PN10 DN 15:65

PTFE

| Codice | R | DN | PN | B | B ₁ | C | C ₁ | E | H | H | L _a | R ₁ | R _a | Z | g |
|-------------|-------|----|----|-----|----------------|-----|----------------|----|-----|-----|----------------|----------------|----------------|-----|------|
| DKUACNC012P | 1/2" | 15 | 10 | 148 | 25 | 66 | 24 | 41 | 143 | 97 | 90 | 1" | 1/4" | 98 | 744 |
| DKUACNC034P | 3/4" | 20 | 10 | 151 | 30 | 69 | 24 | 50 | 167 | 97 | 108 | 1"1/4 | 1/4" | 115 | 811 |
| DKUACNC100P | 1" | 25 | 10 | 159 | 33 | 78 | 24 | 58 | 180 | 97 | 116 | 1"1/2 | 1/4" | 122 | 1047 |
| DKUACNC114P | 1"1/4 | 32 | 10 | 163 | 30 | 82 | 24 | 72 | 208 | 97 | 134 | 2" | 1/4" | 144 | 1180 |
| DKUACNC112P | 1"1/2 | 40 | 10 | 207 | 35 | 112 | 24 | 79 | 234 | 126 | 154 | 2"1/2 | 1/4" | 164 | 2968 |
| DKUACNC200P | 2" | 50 | 10 | 245 | 46 | 142 | 24 | 98 | 272 | 157 | 184 | 2"3/4 | 1/4" | 195 | 6388 |