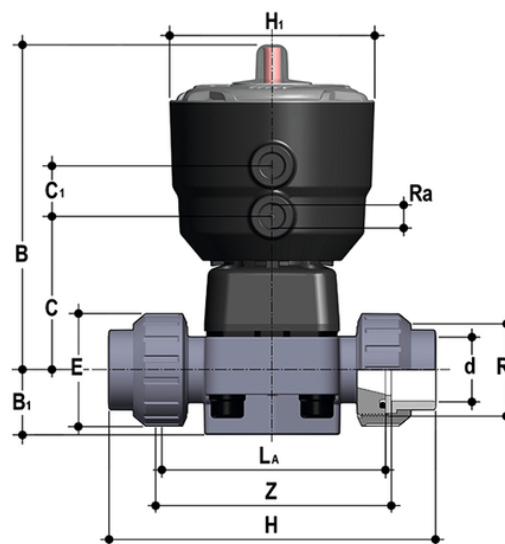


# DKUAC/CP NO – Valvola a membrana a comando pneumatico PN10 DN 15:65

Valvola a membrana a comando pneumatico con attacchi a bocchettone femmina per incollaggio, serie ASTM. Funzione Normalmente Aperta.



## EPDM

Codice	R	DN	PN	B	B <sub>1</sub>	C	C <sub>1</sub>	E	H	H	L <sub>a</sub>	R <sub>1</sub>	R <sub>a</sub>	Z	g
DKUACNO012E	1/2"	15	10	148	25	66	24	41	143	97	90	1"	1/4"	98	744
DKUACNO034E	3/4"	20	10	151	30	69	24	50	167	97	108	1 1/4"	1/4"	115	811
DKUACNO100E	1"	25	10	159	33	78	24	58	180	97	116	1 1/2"	1/4"	122	1047
DKUACNO114E	1 1/4"	32	10	163	30	82	24	72	208	97	134	2"	1/4"	144	1180
DKUACNO112E	1 1/2"	40	10	207	35	112	24	79	234	126	154	2 1/2"	1/4"	164	2508
DKUACNO200E	2"	50	10	245	46	142	24	98	272	157	184	2 3/4"	1/4"	195	4606

## FKM

Codice	R	DN	PN	B	B <sub>1</sub>	C	C <sub>1</sub>	E	H	H	L <sub>a</sub>	R <sub>1</sub>	R <sub>a</sub>	Z	g
DKUACNO012F	1/2"	15	10	148	25	66	24	41	143	97	90	1"	1/4"	98	744
DKUACNO034F	3/4"	20	10	151	30	69	24	50	167	97	108	1 1/4"	1/4"	115	811
DKUACNO100F	1"	25	10	159	33	78	24	58	180	97	116	1 1/2"	1/4"	122	1047
DKUACNO114F	1 1/4"	32	10	163	30	82	24	72	208	97	134	2"	1/4"	144	1180
DKUACNO112F	1 1/2"	40	10	207	35	112	24	79	234	126	154	2 1/2"	1/4"	164	2508
DKUACNO200F	2"	50	10	245	46	142	24	98	272	157	184	2 3/4"	1/4"	195	4606

# DKUAC/CP NO – Valvola a membrana a comando pneumatico PN10 DN 15:65

## PTFE

Codice	R	DN	PN	B	B <sub>1</sub>	C	C <sub>1</sub>	E	H	H	L <sub>a</sub>	R <sub>1</sub>	R <sub>a</sub>	Z	g
DKUACNO012P	1/2"	15	10	148	25	66	24	41	143	97	90	1"	1/4"	98	744
DKUACNO034P	3/4"	20	10	151	30	69	24	50	167	97	108	1"1/4	1/4"	115	811
DKUACNO100P	1"	25	10	159	33	78	24	58	180	97	116	1"1/2	1/4"	122	1047
DKUACNO114P	1"1/4	32	10	163	30	82	24	72	208	97	134	2"	1/4"	144	1180
DKUACNO112P	1"1/2	40	10	207	35	112	24	79	234	126	154	2"1/2	1/4"	164	2508
DKUACNO200P	2"	50	10	245	46	142	24	98	272	157	184	2"3/4	1/4"	195	4606