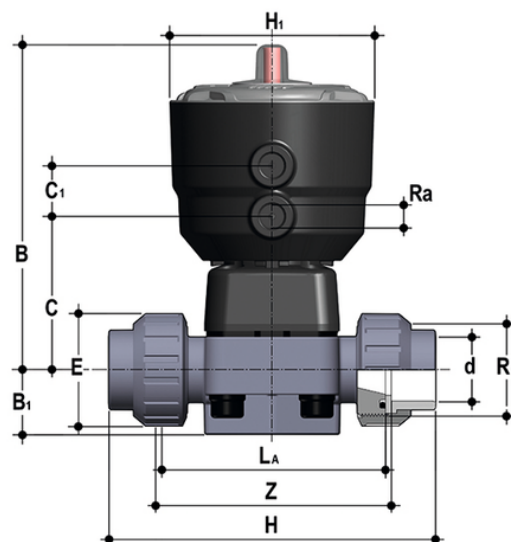


DKUAC/CP DA – Valvola a membrana a comando pneumatico PN10 DN 15:65

Valvola a membrana a comando pneumatico con attacchi a bocchettone femmina per incollaggio, serie ASTM. Funzione Doppio Effetto.



EPDM

Codice	R	DN	PN	B	B ₁	C	C ₁	E	H	H	L _α	R ₁	R _α	Z	g
DKUACDA012E	1/2"	15	10	148	25	66	24	41	143	97	90	1"	1/4"	98	624
DKUACDA034E	3/4"	20	10	151	30	69	24	50	167	97	108	1 1/4"	1/4"	115	691
DKUACDA100E	1"	25	10	159	33	78	24	58	180	97	116	1 1/2"	1/4"	122	927
DKUACDA114E	1 1/4"	32	10	163	30	82	24	72	208	97	134	2"	1/4"	144	1060
DKUACDA112E	1 1/2"	40	10	207	35	112	24	79	234	126	154	2 1/2"	1/4"	164	2266
DKUACDA200E	2"	50	10	245	46	142	24	98	272	157	184	2 3/4"	1/4"	195	4168

FKM

Codice	R	DN	PN	B	B ₁	C	C ₁	E	H	H	L _α	R ₁	R _α	Z	g
DKUACDA012F	1/2"	15	10	148	25	66	24	41	143	97	90	1"	1/4"	98	624
DKUACDA034F	3/4"	20	10	151	30	69	24	50	167	97	108	1 1/4"	1/4"	115	691
DKUACDA100F	1"	25	10	159	33	78	24	58	180	97	116	1 1/2"	1/4"	122	927
DKUACDA114F	1 1/4"	32	10	163	30	82	24	72	208	97	134	2"	1/4"	144	1060
DKUACDA112F	1 1/2"	40	10	207	35	112	24	79	234	126	154	2 1/2"	1/4"	164	2266
DKUACDA200F	2"	50	10	245	46	142	24	98	272	157	184	2 3/4"	1/4"	195	4168

PTFE

DKUAC/CP DA – Valvola a membrana a comando pneumatico PN10 DN 15:65

Codice	R	DN	PN	B	B ₁	C	C ₁	E	H	H	L _G	R ₁	R _G	Z	g
DKUACDA012P	1/2"	15	10	148	25	66	24	41	143	97	90	1"	1/4"	98	624
DKUACDA034P	3/4"	20	10	151	30	69	24	50	167	97	108	1"1/4	1/4"	115	691
DKUACDA100P	1"	25	10	159	33	78	24	58	180	97	116	1"1/2	1/4"	122	927
DKUACDA114P	1"1/4	32	10	163	30	82	24	72	208	97	134	2"	1/4"	144	1060
DKUACDA112P	1"1/2	40	10	207	35	112	24	79	234	126	154	2"1/2	1/4"	164	2266
DKUACDA200P	2"	50	10	245	46	142	24	98	272	157	184	2"3/4	1/4"	195	4168