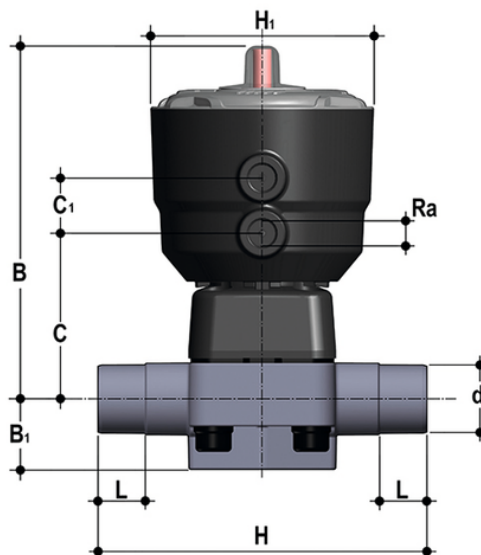


# DKDC/CP NO - Valvola a membrana a comando pneumatico PN10 DN 15:65

Valvola a membrana a comando pneumatico con attacchi maschio per incollaggio, serie metrica. Funzione Normalmente Aperta.



## EPDM

Codice	d	DN	PN	B	B <sub>1</sub>	C	C <sub>1</sub>	H	H	L	R <sub>a</sub>	g
DKDCNO020E	20	15	10	148	25	66	24	124	97	16	1/4"	726
DKDCNO025E	25	20	10	151	30	69	24	144	97	19	1/4"	726
DKDCNO032E	32	25	10	159	33	78	24	154	97	22	1/4"	931
DKDCNO040E	40	32	10	163	30	82	24	174	97	26	1/4"	978
DKDCNO050E	50	40	10	207	35	112	24	194	126	31	1/4"	2276
DKDCNO063E	63	50	10	245	46	142	24	224	157	38	1/4"	4192
DKDCNO075E	75	65	10	245	46	142	24	284	157	44	1/4"	4373

## FKM

Codice	d	DN	PN	B	B <sub>1</sub>	C	C <sub>1</sub>	H	H	L	R <sub>a</sub>	g
DKDCNO020F	20	15	10	148	25	66	24	124	97	16	1/4"	701
DKDCNO025F	25	20	10	151	30	69	24	144	97	19	1/4"	726
DKDCNO032F	32	25	10	159	33	78	24	154	97	22	1/4"	931
DKDCNO040F	40	32	10	163	30	82	24	174	97	26	1/4"	978
DKDCNO050F	50	40	10	207	35	112	24	194	126	31	1/4"	2276
DKDCNO063F	63	50	10	245	46	142	24	224	157	38	1/4"	4192
DKDCNO075F	75	65	10	245	46	142	24	284	157	44	1/4"	4373

# DKDC/CP NO – Valvola a membrana a comando pneumatico PN10 DN 15:65

## PTFE

Codice	d	DN	PN	B	B <sub>1</sub>	C	C <sub>1</sub>	H	H	L	R <sub>a</sub>	g
DKDCNO020P	20	15	10	148	25	66	24	124	97	16	1/4"	701
DKDCNO025P	25	20	10	151	30	69	24	144	97	19	1/4"	726
DKDCNO032P	32	25	10	159	33	78	24	154	97	22	1/4"	931
DKDCNO040P	40	32	10	163	30	82	24	174	97	26	1/4"	978
DKDCNO050P	50	40	10	207	35	112	24	194	126	31	1/4"	2276
DKDCNO063P	63	50	10	245	46	142	24	224	157	38	1/4"	4192
DKDCNO075P	75	65	10	245	46	142	24	284	157	44	1/4"	4373