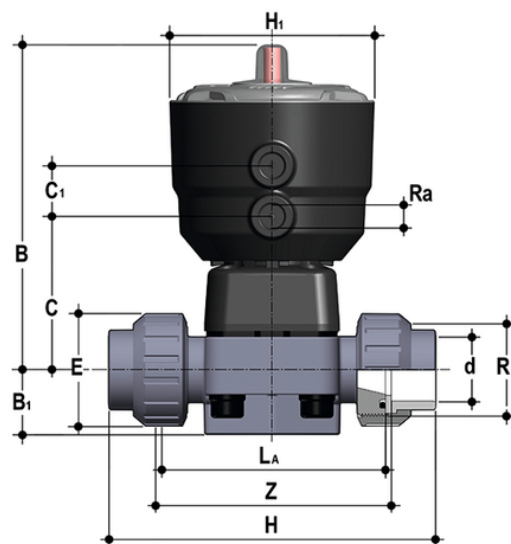


DKUIV/CP DA – Valvola a membrana a comando pneumatico PN10 DN 15:65

Valvola a membrana a comando pneumatico con attacchi a bocchettone femmina, serie metrica. Funzione Doppio Effetto.



EPDM

| Codice | d | DN | PN | B | B ₁ | C | C ₁ | E | H | H | L _a | R _i | R _a | Z | g |
|-------------|----|----|----|-----|----------------|-----|----------------|----|-----|-----|----------------|----------------|----------------|-----|------|
| DKUIVDA020E | 20 | 15 | 10 | 148 | 25 | 66 | 24 | 41 | 129 | 97 | 90 | 1" | 1/4" | 100 | 615 |
| DKUIVDA025E | 25 | 20 | 10 | 151 | 30 | 69 | 24 | 50 | 154 | 97 | 108 | 1 1/4" | 1/4" | 116 | 677 |
| DKUIVDA032E | 32 | 25 | 10 | 159 | 33 | 78 | 24 | 58 | 168 | 97 | 116 | 1 1/2" | 1/4" | 124 | 905 |
| DKUIVDA040E | 40 | 32 | 10 | 163 | 30 | 82 | 24 | 72 | 192 | 97 | 134 | 2" | 1/4" | 140 | 1031 |
| DKUIVDA050E | 50 | 40 | 10 | 207 | 35 | 112 | 24 | 79 | 222 | 126 | 154 | 2 1/4" | 1/4" | 160 | 2220 |
| DKUIVDA063E | 63 | 50 | 10 | 245 | 46 | 142 | 24 | 98 | 266 | 157 | 184 | 2 3/4" | 1/4" | 190 | 4084 |

FKM

| Codice | d | DN | PN | B | B ₁ | C | C ₁ | E | H | H | L _a | R _i | R _a | Z | g |
|-------------|----|----|----|-----|----------------|-----|----------------|----|-----|-----|----------------|----------------|----------------|-----|------|
| DKUIVDA020F | 20 | 15 | 10 | 148 | 25 | 66 | 24 | 41 | 129 | 97 | 90 | 1" | 1/4" | 100 | 615 |
| DKUIVDA025F | 25 | 20 | 10 | 151 | 30 | 69 | 24 | 50 | 154 | 97 | 108 | 1 1/4" | 1/4" | 116 | 677 |
| DKUIVDA032F | 32 | 25 | 10 | 159 | 33 | 78 | 24 | 58 | 168 | 97 | 116 | 1 1/2" | 1/4" | 124 | 905 |
| DKUIVDA040F | 40 | 32 | 10 | 163 | 30 | 82 | 24 | 72 | 192 | 97 | 134 | 2" | 1/4" | 140 | 1031 |
| DKUIVDA050F | 50 | 40 | 10 | 207 | 35 | 112 | 24 | 79 | 222 | 126 | 154 | 2 1/4" | 1/4" | 160 | 2220 |
| DKUIVDA063F | 63 | 50 | 10 | 245 | 46 | 142 | 24 | 98 | 266 | 157 | 184 | 2 3/4" | 1/4" | 190 | 4084 |

PTFE

DKUIV/CP DA – Valvola a membrana a comando pneumatico PN10 DN 15:65

| Codice | d | DN | PN | B | B ₁ | C | C ₁ | E | H | H | L _a | R ₁ | R _a | Z | g |
|-------------|----|----|----|-----|----------------|-----|----------------|----|-----|-----|----------------|----------------|----------------|-----|------|
| DKUIVDA020P | 20 | 15 | 10 | 148 | 25 | 66 | 24 | 41 | 129 | 97 | 90 | 1" | 1/4" | 100 | 615 |
| DKUIVDA025P | 25 | 20 | 10 | 151 | 30 | 69 | 24 | 50 | 154 | 97 | 108 | 1"1/4 | 1/4" | 116 | 677 |
| DKUIVDA032P | 32 | 25 | 10 | 159 | 33 | 78 | 24 | 58 | 168 | 97 | 116 | 1"1/2 | 1/4" | 124 | 905 |
| DKUIVDA040P | 40 | 32 | 10 | 163 | 30 | 82 | 24 | 72 | 192 | 97 | 134 | 2" | 1/4" | 140 | 1031 |
| DKUIVDA050P | 50 | 40 | 10 | 207 | 35 | 112 | 24 | 79 | 222 | 126 | 154 | 2"1/4 | 1/4" | 160 | 2220 |
| DKUIVDA063P | 63 | 50 | 10 | 245 | 46 | 142 | 24 | 98 | 266 | 157 | 184 | 2"3/4 | 1/4" | 190 | 4084 |