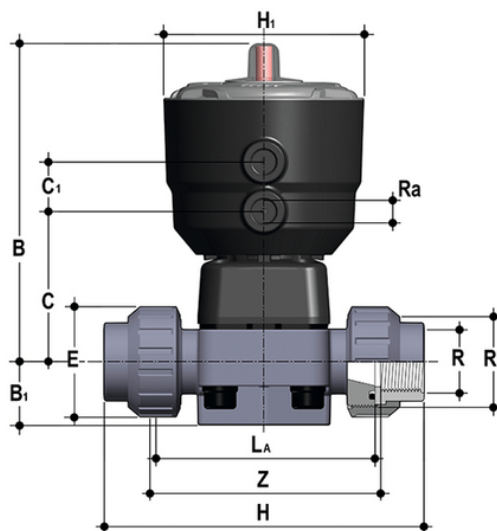


# DKUFV/CP NC - Valvola a membrana a comando pneumatico PN10 DN 15:65

Valvola a membrana a comando pneumatico con attacchi a bocchettone femmina, filettatura cilindrica gas. Funzione Normalmente Chiusa.



## EPDM

Codice	R	DN	PN	B	B <sub>1</sub>	C	C <sub>1</sub>	E	H	H	L <sub>a</sub>	R <sub>1</sub>	R <sub>a</sub>	Z	g
DKUFVNC200E	2"	50	10	245	46	142	24	98	246	157	184	2"3/4	1/4"	195	6304
DKUFVNC012E	1/2"	15	10	148	25	66	24	41	131	97	90	1"	1/4"	97	735
DKUFVNC034E	3/4"	20	10	151	30	69	24	50	151	97	108	1"1/4	1/4"	118	797
DKUFVNC100E	1"	25	10	159	33	78	24	58	165	97	116	1"1/2	1/4"	127	1025
DKUFVNC114E	1"1/4	32	10	163	30	82	24	72	188	97	134	2"	1/4"	145	1151
DKUFVNC112E	1"1/2	40	10	207	35	112	24	79	208	126	154	2"1/2	1/4"	165	2922

## FKM

Codice	R	DN	PN	B	B <sub>1</sub>	C	C <sub>1</sub>	E	H	H	L <sub>a</sub>	R <sub>1</sub>	R <sub>a</sub>	Z	g
DKUFVNC012F	1/2"	15	10	148	25	66	24	41	131	97	90	1"	1/4"	97	735
DKUFVNC034F	3/4"	20	10	151	30	69	24	50	151	97	108	1"1/4	1/4"	118	797
DKUFVNC100F	1"	25	10	159	33	78	24	58	165	97	116	1"1/2	1/4"	127	1025
DKUFVNC114F	1"1/4	32	10	163	30	82	24	72	188	97	134	2"	1/4"	145	1151
DKUFVNC112F	1"1/2	40	10	207	35	112	24	79	208	126	154	2"1/2	1/4"	165	2922
DKUFVNC200F	2"	50	10	245	46	142	24	98	246	157	184	2"3/4	1/4"	195	6304

## PTFE

# DKUFV/CP NC – Valvola a membrana a comando pneumatico PN10 DN 15:65

Codice	R	DN	PN	B	B <sub>1</sub>	C	C <sub>1</sub>	E	H	H	L <sub>a</sub>	R <sub>1</sub>	R <sub>a</sub>	Z	g
DKUFVNC012P	1/2"	15	10	148	25	66	24	41	131	97	90	1"	1/4"	97	735
DKUFVNC034P	3/4"	20	10	151	30	69	24	50	151	97	108	1"1/4	1/4"	118	797
DKUFVNC100P	1"	25	10	159	33	78	24	58	165	97	116	1"1/2	1/4"	127	1025
DKUFVNC114P	1"1/4	32	10	163	30	82	24	72	188	97	134	2"	1/4"	145	1151
DKUFVNC112P	1"1/2	40	10	207	35	112	24	79	208	126	154	2"1/2	1/4"	165	2922
DKUFVNC200P	2"	50	10	245	46	142	24	98	246	157	184	2"3/4	1/4"	195	6304