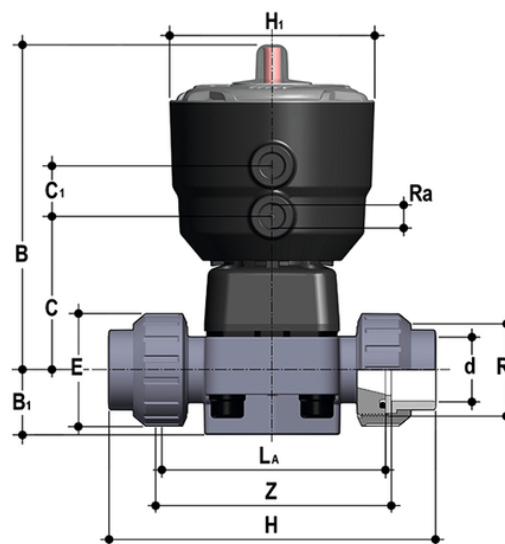


DKUIC/CP NC - Valvola a membrana a comando pneumatico PN10 DN 15:65

Valvola a membrana a comando pneumatico con attacchi a bocchettone femmina per incollaggio, serie metrica. Funzione Normalmente Chiusa.



EPDM

Codice	d	DN	PN	B	B ₁	C	C ₁	E	H	H	L _a	R ₁	R _a	Z	g
DKUICNC020E	20	15	10	148	25	66	24	41	129	97	90	1"	1/4"	100	744
DKUICNC025E	25	20	10	151	30	69	24	50	154	97	108	1 1/4"	1/4"	116	811
DKUICNC032E	32	25	10	159	33	78	24	58	168	97	116	1 1/2"	1/4"	124	1047
DKUICNC040E	40	32	10	163	30	82	24	72	192	97	134	2"	1/4"	140	1180
DKUICNC050E	50	40	10	207	35	112	24	79	222	126	154	2 1/4"	1/4"	160	2968
DKUICNC063E	63	50	10	245	46	142	24	98	266	157	184	2 3/4"	1/4"	190	6388

FKM

Codice	d	DN	PN	B	B ₁	C	C ₁	E	H	H	L _a	R ₁	R _a	Z	g
DKUICNC020F	20	15	10	148	25	66	24	41	129	97	90	1"	1/4"	100	744
DKUICNC025F	25	20	10	151	30	69	24	50	154	97	108	1 1/4"	1/4"	116	811
DKUICNC032F	32	25	10	159	33	78	24	58	168	97	116	1 1/2"	1/4"	124	1047
DKUICNC040F	40	32	10	163	30	82	24	72	192	97	134	2"	1/4"	140	1180
DKUICNC050F	50	40	10	207	35	112	24	79	222	126	154	2 1/4"	1/4"	160	2968
DKUICNC063F	63	50	10	245	46	142	24	98	266	157	184	2 3/4"	1/4"	190	6388

DKUIC/CP NC – Valvola a membrana a comando pneumatico PN10 DN 15:65

PTFE

Codice	d	DN	PN	B	B ₁	C	C ₁	E	H	H	L _a	R ₁	R _a	Z	g
DKUICNC020P	20	15	10	148	25	66	24	41	129	97	90	1"	1/4"	100	744
DKUICNC025P	25	20	10	151	30	69	24	50	154	97	108	1"1/4	1/4"	116	811
DKUICNC032P	32	25	10	159	33	78	24	58	168	97	116	1"1/2	1/4"	124	1047
DKUICNC040P	40	32	10	163	30	82	24	72	192	97	134	2"	1/4"	140	1180
DKUICNC050P	50	40	10	207	35	112	24	79	222	126	154	2"1/4	1/4"	160	2968
DKUICNC063P	63	50	10	245	46	142	24	98	266	157	184	2"3/4	1/4"	190	6388