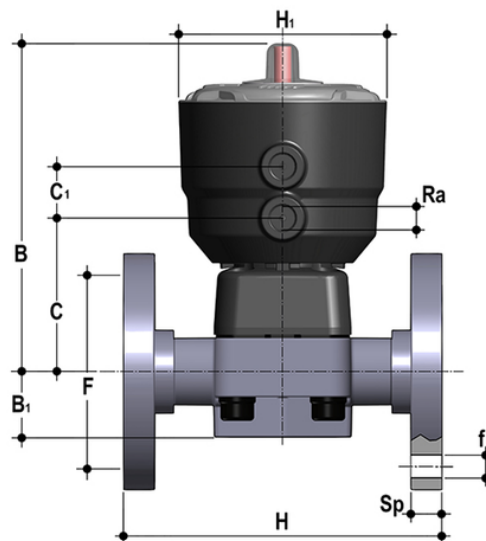


# DKOAV/CP NC - Valvola a membrana a comando pneumatico PN10 DN 15:65

Valvola a membrana a comando pneumatico con corpo flangiato monolitico foratura ANSI B16.5 cl. 150 #FF. Funzione Normalmente Chiusa.



## EPDM

Codice	d	DN	PN	B	B <sub>1</sub>	C	C <sub>1</sub>	F	Øf	H	H	R <sub>a</sub>	U	Sp	g
DKOAVNC012E	1/2"	15	10	148	25	66	24	60,30	14	108	97	1/4"	4	13.5	925
DKOAVNC034E	3/4"	20	10	151	30	69	24	69,90	15.7	120	97	1/4"	4	13.5	1005
DKOAVNC100E	1"	25	10	159	33	78	24	79,40	15.7	131	97	1/4"	4	13.5	1271
DKOAVNC114E	1" 1/4	32	10	163	30	82	24	88,90	15.7	162	97	1/4"	4	14	1461
DKOAVNC112E	1" 1/2	40	10	207	35	112	24	98,40	15.7	180	126	1/4"	4	16	3336
DKOAVNC200E	2"	50	10	245	46	142	24	120,70	19	210	157	1/4"	4	16	6671
DKOAVNC212E	2" 1/2	65	10	245	46	142	24	139,70	19	250	157	1/4"	4	21	7272

## FKM

Codice	d	DN	PN	B	B <sub>1</sub>	C	C <sub>1</sub>	F	Øf	H	H	R <sub>a</sub>	U	Sp	g
DKOAVNC012F	1/2"	15	10	148	25	66	24	60,30	14	108	97	1/4"	4	13.5	925
DKOAVNC034F	3/4"	20	10	151	30	69	24	69,90	15.7	120	97	1/4"	4	13.5	1005
DKOAVNC100F	1"	25	10	159	33	78	24	79,40	15.7	131	97	1/4"	4	13.5	1271
DKOAVNC114F	1" 1/4	32	10	163	30	82	24	88,90	15.7	162	97	1/4"	4	14	1461
DKOAVNC112F	1" 1/2	40	10	207	35	112	24	98,40	15.7	180	126	1/4"	4	16	3336
DKOAVNC200F	2"	50	10	245	46	142	24	120,70	19	210	157	1/4"	4	16	6671
DKOAVNC212F	2" 1/2	65	10	245	46	142	24	139,70	19	250	157	1/4"	4	21	7272

# DKOAV/CP NC – Valvola a membrana a comando pneumatico PN10 DN 15:65

## PTFE

Codice	d	DN	PN	B	B <sub>1</sub>	C	C <sub>1</sub>	F	Øf	H	H	R <sub>a</sub>	U	Sp	g
DKOAVNC012P	1/2"	15	10	148	25	66	24	60,30	14	108	97	1/4"	4	13.5	925
DKOAVNC034P	3/4"	20	10	151	30	69	24	69,90	15.7	120	97	1/4"	4	13.5	1005
DKOAVNC100P	1"	25	10	159	33	78	24	79,40	15.7	131	97	1/4"	4	13.5	1271
DKOAVNC114P	1" 1/4	32	10	163	30	82	24	88,90	15.7	162	97	1/4"	4	14	1461
DKOAVNC112P	1" 1/2	40	10	207	35	112	24	98,40	15.7	180	126	1/4"	4	16	3336
DKOAVNC200P	2"	50	10	245	46	142	24	120,70	19	210	157	1/4"	4	16	6671
DKOAVNC212P	2" 1/2	65	10	245	46	142	24	139,70	19	250	157	1/4"	4	21	7272