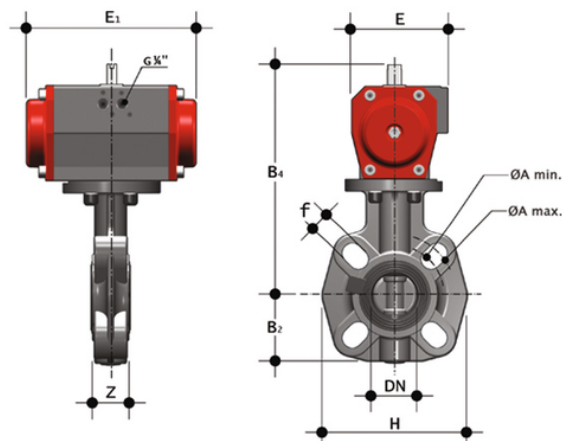


# FEOV/CP NC - Valvola a farfalla a comando pneumatico DN 40:65

Valvola a farfalla con attuatore pneumatico, funzione Normalmente Chiusa.



## EPDM

| Codice     | d        | DN | PN | B <sub>2</sub> | H   | Z  | A <sub>min</sub> | A <sub>max</sub> | f  | U | B <sub>4</sub> | E  | E <sub>1</sub> | g    |
|------------|----------|----|----|----------------|-----|----|------------------|------------------|----|---|----------------|----|----------------|------|
| FEOVNC050E | 50-1"1/2 | 40 | 16 | 60             | 132 | 33 | 93,5             | 109              | 19 | 4 | 209            | 86 | 155            | 2370 |
| FEOVNC063E | 63-2"    | 50 | 16 | 70             | 147 | 43 | 108              | 124              | 19 | 4 | 232            | 94 | 210            | 4120 |
| FEOVNC075E | 75-2"1/2 | 65 | 10 | 80             | 165 | 46 | 128              | 144              | 19 | 4 | 239            | 94 | 210            | 4380 |

## FKM

| Codice     | d        | DN | PN | B <sub>2</sub> | H   | Z  | A <sub>min</sub> | A <sub>max</sub> | f  | U | B <sub>4</sub> | E  | E <sub>1</sub> | g    |
|------------|----------|----|----|----------------|-----|----|------------------|------------------|----|---|----------------|----|----------------|------|
| FEOVNC050F | 50-1"1/2 | 40 | 16 | 60             | 132 | 33 | 93,5             | 109              | 19 | 4 | 209            | 86 | 155            | 2370 |
| FEOVNC063F | 63-2"    | 50 | 16 | 70             | 147 | 43 | 108              | 124              | 19 | 4 | 232            | 94 | 210            | 4120 |
| FEOVNC075F | 75-2"1/2 | 65 | 10 | 80             | 165 | 46 | 128              | 144              | 19 | 4 | 239            | 94 | 210            | 4380 |