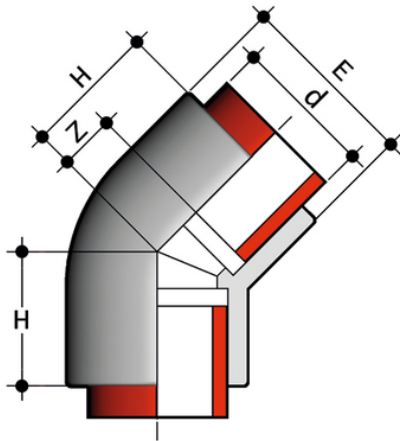


HIM - Gomito a 45°

Gomito a 45° per saldatura di tasca.



Codice	d	DN	PN	E	H	Z	g
HIM020	20	15	10	28	21	7	12
HIM025	25	20	10	34	25	9	19
HIM032	32	25	10	42	29	12	33
HIM040	40	32	10	52	36	15	57
HIM050	50	40	10	63	43	19	105
HIM063	63	50	10	79	51	24	182
HIM075	75	65	10	92	53	20	200
HIM090	90	80	10	113	61	23,5	335
HIM110	110	100	10	135	71	28	610