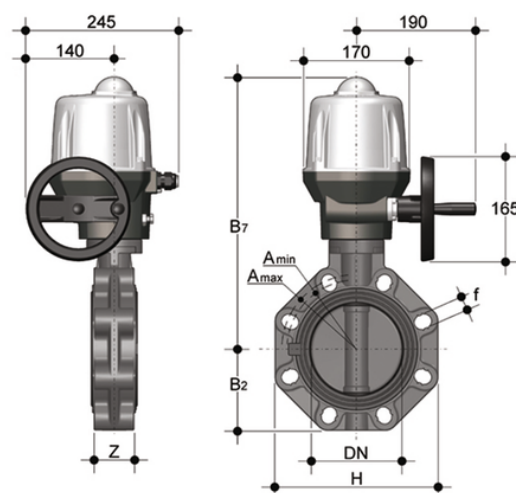


# FKOV/CE 24V AC/DC - Valvola a farfalla a comando elettrico DN 125:200

Valvola a farfalla con attuatore elettrico 24 V AC/DC.



## EPDM

Codice	d	DN	PN	B <sub>2</sub>	H	Z	A <sub>min</sub>	A <sub>max</sub>	f	U	B <sub>7</sub>	g
FKOVEL140E	*125/140-5"	125	10	120	240	64	204	215	23	8	425	8150
FKOVEL160E	160-6"	150	10	134	268	70	230	242	23	8	438	8900
FKOVEL225E	**200/225-8"	200	10	161	323	71	280	298	23	8	485	11600

## FKM

Codice	d	DN	PN	B <sub>2</sub>	H	Z	A <sub>min</sub>	A <sub>max</sub>	f	U	B <sub>7</sub>	g
FKOVEL140F	*125/140-5"	125	10	120	240	64	204	215	23	8	425	8150
FKOVEL160F	160-6"	150	10	134	268	70	230	242	23	8	438	8900
FKOVEL225F	**200/225-8"	200	10	161	323	71	280	298	23	8	485	11600