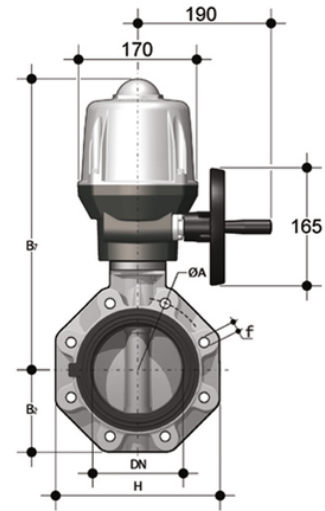
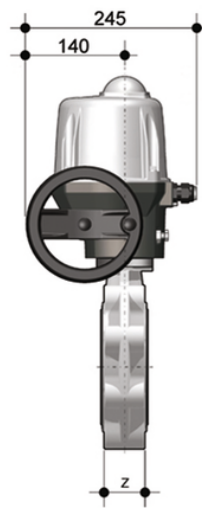


FKOC/CE 24V AC/DC LUG ISO-DIN - Valvola a farfalla a comando elettrico DN 125:200

Valvola a farfalla versione LUG ISO-DIN con attuatore elettrico 24 V AC/DC.



EPDM

| Codice | d | DN | PN | B ₂ | H | Z | ØA | f | U | B ₇ | g |
|-------------|-----|-----|----|----------------|-----|----|-----|-----|---|----------------|-------|
| FKOLCEL140E | 140 | 125 | 10 | 120 | 240 | 64 | 210 | M16 | 8 | 425 | 10111 |
| FKOLCEL160E | 160 | 150 | 10 | 134 | 268 | 70 | 240 | M20 | 8 | 438 | 10926 |
| FKOLCEL225E | 225 | 200 | 10 | 161 | 323 | 71 | 295 | M20 | 8 | 485 | 13861 |

FKM

| Codice | d | DN | PN | B ₂ | H | Z | ØA | f | U | B ₇ | g |
|-------------|-----|-----|----|----------------|-----|----|-----|-----|---|----------------|-------|
| FKOLCEL140F | 140 | 125 | 10 | 120 | 240 | 64 | 210 | M16 | 8 | 425 | 10111 |
| FKOLCEL160F | 160 | 150 | 10 | 134 | 268 | 70 | 240 | M20 | 8 | 438 | 10926 |
| FKOLCEL225F | 225 | 200 | 10 | 161 | 323 | 71 | 295 | M20 | 8 | 485 | 13861 |